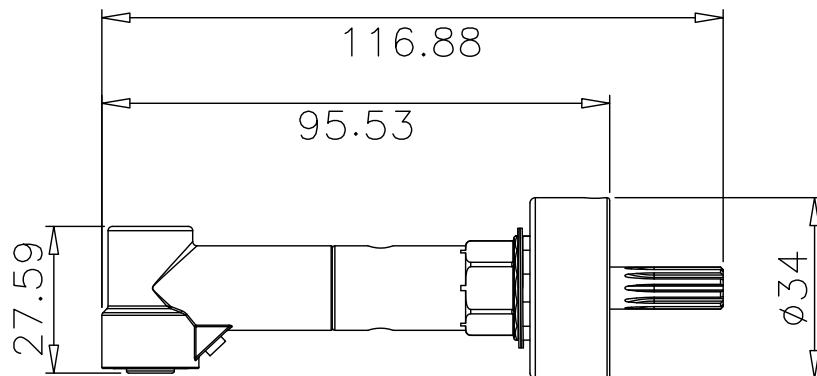




- 1/4"-28 Internal Thread Chuck
- Ball Bearing Gear Support
- High Nickel Alloy Bevel Gears
- Locking Knurled Adjustment Nut
- Gear Cooling with Passive Exhaust Air
- For Use with Universal Tool UT8891, UT8893 Series, Jiffy® SD and SD2 Series Motors



Jiffy is a Registered Trademark of United Air Tool Inc.

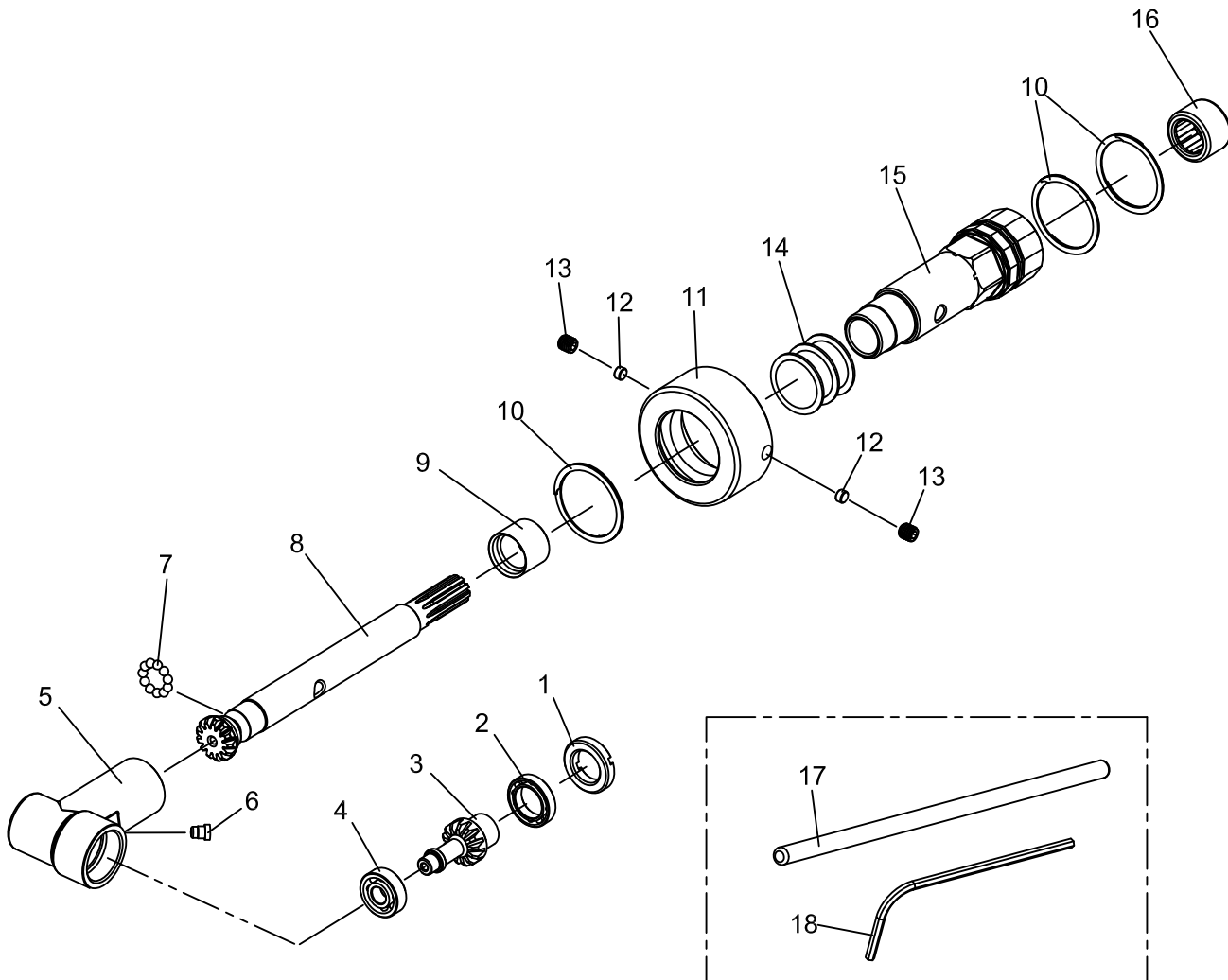


FIG NO.	PART NO.	DESCRIPTION	QTY	FIG NO.	PART NO.	DESCRIPTION	QTY
1	9389390X9005	Luck nut	1	10	9389344	Lock Ring	3
2	9B679	Ball bearing	1	11	9389343	Nut	1
3	9389390X9001	Gear Shaft	1	12	9389361-C	Plug Locking	2
4	9BR3	Ball bearing	1	13	9589036	Screw	2
5	9389390X9008	Angle Head	1	14	9389348	Washer	3
6	93893PLE05	Grease Fitting	1	15	9389345	Angle Housing	1
7	9389342	Steel ball	11	16	9NB66	Needle Bearing	1
8	93893PS12	Gear Shaft	1	17	9389358	Pin	1
9	9389340	Bearing Retainer	1	18	9389360	Hex Key Wrench	1

Universal Tool a Division of Florida Pneumatic Mfg. Corporation

851 Jupiter Park Lane | Jupiter, FL 33458

Main Office (561) 744-9500 | Customer Service (800) 356-3392 | Fax (561) 575-9134