



Universal Tool

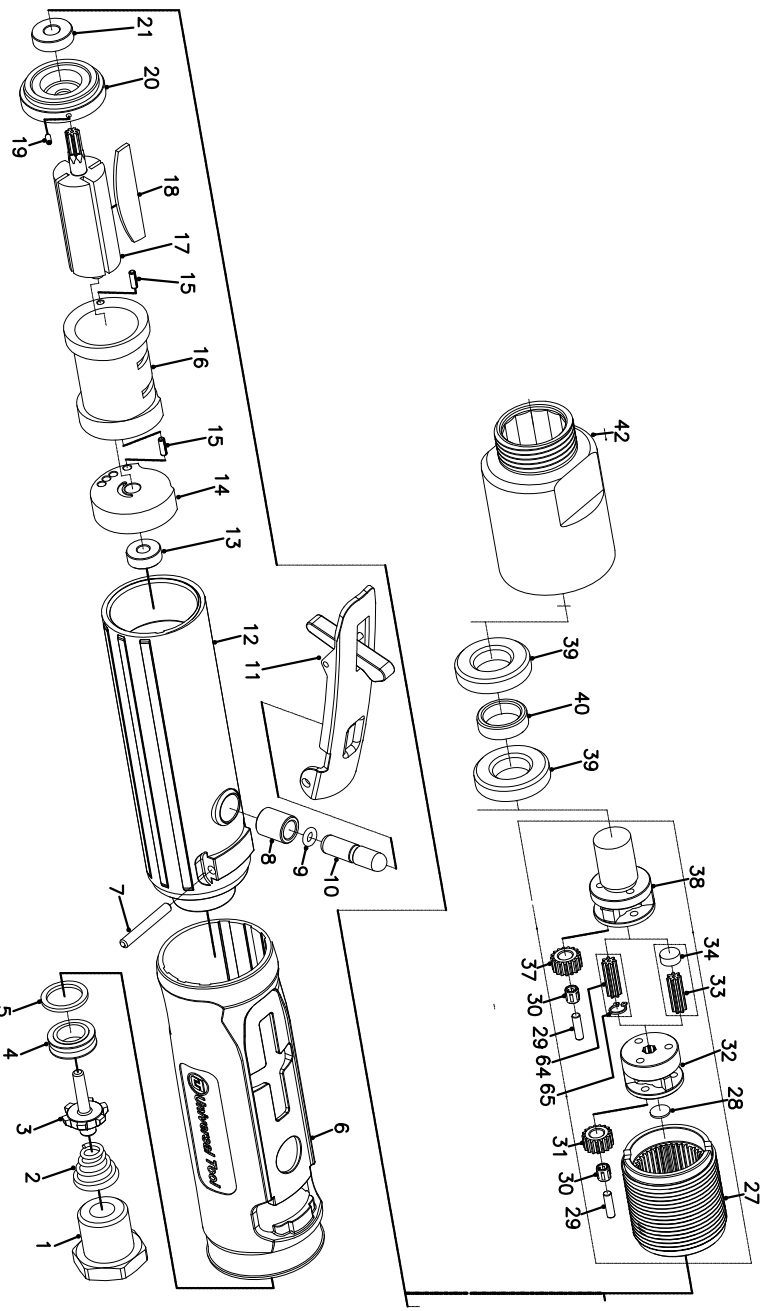
**UT8891SHD-5
Hi-Lok Installation Tool**

1	9872401	AIR INLET	1
2	9872402	VALVE SPRING	1
3	9872422	VALVE STEM	1
4	9872423	VALVE SEAT	1
5	9872403	VALVE WASHER	1
6	9872420	CUSHION GRIP W/DEFLECTOR	1
7	9308003	THROTTLE LEVER PIN	1
8	9872430	BUSHING	1
9	90R2512	O-RING	1
10	9872405	VALVE STEM	1
11	9872402B	THROTTLE LEVER ASSEMBLY	1
12	9872404	INNER HOUSING	1
13	9B694ZZ	BALL BEARING	1
14	9889101	REAR END PLATE	1
15	9589040	SPRING PIN	1
16	9872407	CYLINDER	1
18	9389215	ROTOR BLADE	4
19	9389218	SPRING PIN	4
20	9889102	FRONT PLATE	1
21	9B695Z	BALL BEARING	1
39	9B6901	BALL BEARING	2

FOR ANGLE DRILL WITH 500 RPM (UT891-5)

17	9389214-7	ROTOR	1
27	9889103-L	RING GEAR	1
28	9389242	WASHER	1
29	9389229	PIN	6
30	9389228	NEEDLE BEARING	6
31	9389227	GEAR	3
32	9389226	GEAR CAGE	3
33	9389225	SUN GEAR	1
34	9889105	PLUG	1
37	9389227	GEAR	3
38	93892HD-5	GEAR CAGE	1
42	9889104-L	FRONT HOUSING	1

Model #	Motor (HP)	Speed (RPM)	Exhaust	Chuck	Weight (lbs)	Length (in)	Noise d(BA)	Inlet (NPT)	Av. Air Cons. (cm)
UT8891-5	0.45	500	Rear	1/4"x28 tpi	1.87	10.25	81	1/4	4
UT8891-10	0.45	1000	Rear	1/4"x28 tpi	1.87	10.25	81	1/4	4
UT8891-24	0.45	2400	Rear	1/4"x28 tpi	1.66	9.75	83	1/4	4
UT8891-33	0.45	3300	Rear	1/4"x28 tpi	1.66	9.75	83	1/4	4
UT8891-45	0.45	4500	Rear	1/4"x28 tpi	1.66	9.75	83	1/4	4
UT8891-60	0.45	6000	Rear	1/4"x28 tpi	1.66	9.75	83	1/4	4



Limited Warranty

Universal Tool warrants its tools to be free from defects in material and workmanship for one year from the date of purchase. This warranty does not apply to tools which have been abused, misused, modified or repaired by someone other than Universal Tool or its authorized service centers. If a Universal Tool proves defective in material of workmanship within one year after purchase, return it to any authorized service center or to Universal Tool, freight prepaid. Please enclose your name, address and adequate proof of purchase date with a brief description of the defect. Universal Tool will, at its option, repair or replace defective tools, free of charge. Repairs or replacements are warranted as described above for the remainder of the warranty period. Universal Tool's sole liability and your exclusive remedy under this warranty is limited to repair or replacement of the defective tool. There are no other warranties expressed or implied and Universal Tool shall not be liable for incidental, consequential or special damages, or any other damages, costs or expense of repair or replacement as described above.