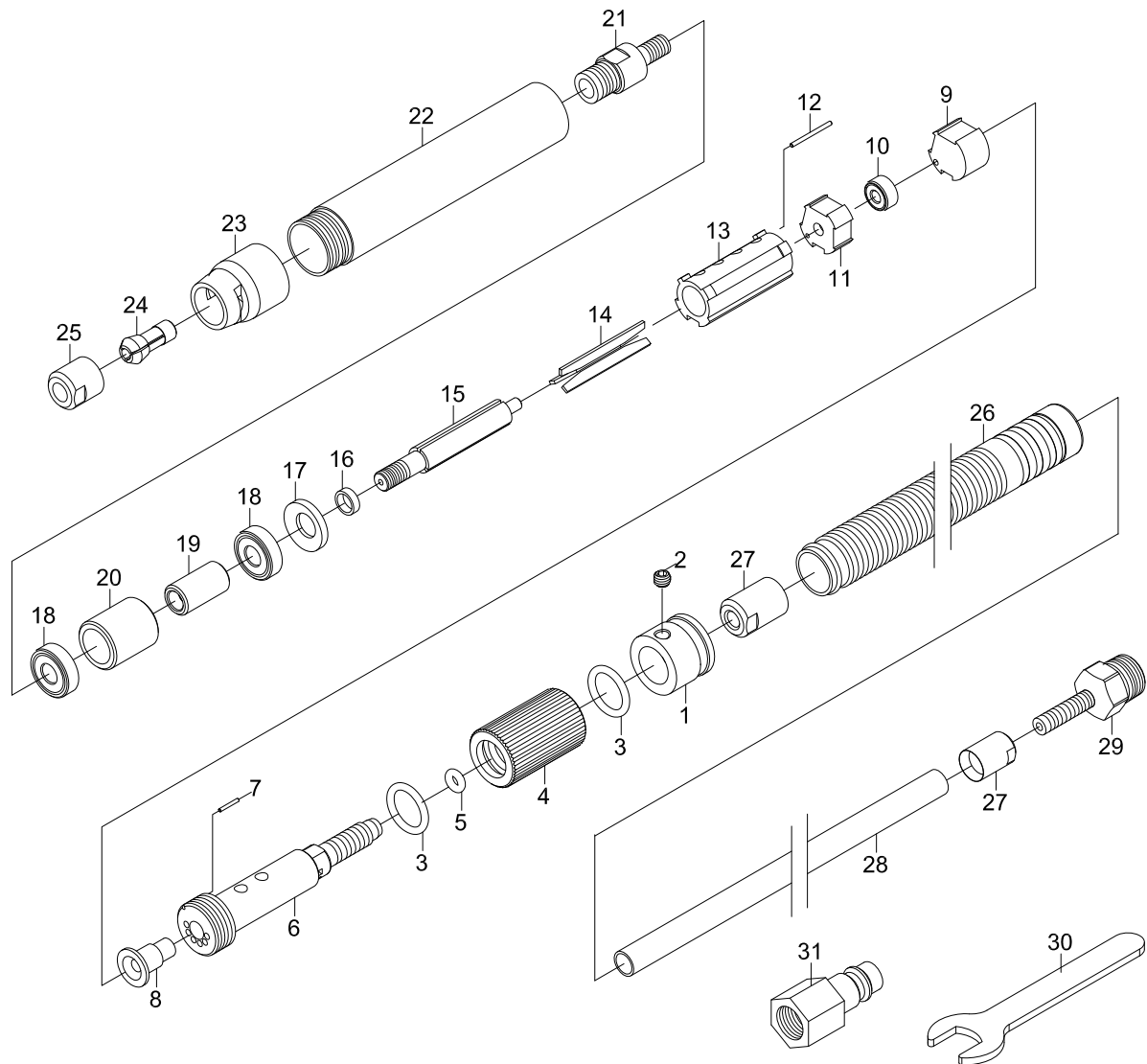


UT8706K-2 Micro Die Grinder Kit

Item No.	Description	Q'ty	Photo
UT8706-2	3mm Micro Die Grinder	1	
ST-516M-11S	3mm Mounted Points	10	
51627-12	Collet Wrench	2	

AIR MICRO GRINDER



Index No.	Parts No.	Description	Index No.	Parts No.	Description
1	700001	Rear End Holder	17	560016	Lateral Disc
2	560002	Screw	18	560017	Ball Bearing(2)
3	560004	O-Ring(2)	19	700019	Interior Bearing Retainer Bushing
4	700004	Sliding Knob	20	700020	Outer Bearing Retainer Bushing
5	560005	O-Ring	21	700021	Collet Foundation
6	560007	Hose Plug	22	700022	Sleeve
7	560006	Pin	23	700023	Front Cover
8	700008	Plug	24	560021	Collet
9	560008	Intake Plate	25	700025	Clamping Nut
10	560009	Ball Bearing	26	560026	Muffer Tube
11	560011	Bearing Plate	27	560027	Hose Ring(2)
12	560010	Pin	28	560028	Air Hose
13	560014	Cylinder	29	560029	Inlet Connector
14	560013	Roter Blade(3)	30	560030	Spanner
15	700015	Roter	31	560031	Air Nipple
16	560015	Spacer			