

PLEASE READ AND FOLLOW ALL WARNINGS

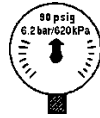


UT9925

AIR HAMMER

Read Operating Instructions

Always become familiar with all the instructions and warnings before operating any power tool.



90 PSIG Maximum

This tool is designed to operate at an air pressure of 90 pounds per square inch gauge pressure (90 PSIG) maximum, at the tool. Use of higher air pressure can, and may cause injury. Also, the use of higher air pressure places the internal components under loads and stresses they were not designed for, causing premature failure. The air supply should be clean and dry. For best results, drain the moisture from your compressor daily.

WARNING:

Some dust created by power sanding, sawing, grinding, drilling, and other construction activities contains chemicals known to cause cancer, birth defects or reproductive harm. Some examples of these chemicals are:

- Lead from lead-based paints
- Crystalline silica from bricks, cement and other masonry products
- Arsenic and chromium from chemically treated lumber

Your risk from these exposures varies, depending on how often you do this type of work. To reduce your exposure to these chemicals, work in a well-ventilated area and work with approved safety equipment such as those dust masks that are specially designed to filter out microscopic particles.



Always Wear Approved Eye Protection

Impact resistant eye protection should meet or exceed the standards as set forth in the United States ANSI Z87.1, Occupational and Educational Eye and Face Protection. Look for the marking Z87.1 on your eye protection to insure that it is an approved style. For further information, ANSI Z87.1, Occupational and Educational Eye and Face Protection, is available from the American National Standards Institute, Inc., 11 West 42nd Street, New York, NY 10036.



Hearing Protection is Recommended

Hearing protection should be used when the noise level exposure equals or exceeds an 8 hour time-weighted average sound level of 85 dBA. Process noise, reflective surfaces, other tools being operated nearby, all add to the noise level present in your work area. If you are unable to determine your noise level exposure, we recommend the use of hearing protection.



Avoid Prolonged Exposure to Vibration

Tools can vibrate during use. Movements, can cause injury. Stop using any tool if discomfort, tingling feeling or pain occurs. You should consult your physician before resuming use of the tool.

Description

Universal Tool low vibration air hammer features a revolutionary low vibration design which reduces operator fatigue and vibration exposure without reducing power. Additional features include a built-in regulator, thick wall die cast housing and durable heat-treated components.



The following general instructions are furnished as general guidelines for use of your pneumatic tool. They cannot comprehensively cover all possible or conceivable uses of the subject tool. For additional information on the safe use of air tools, we advise you to obtain a copy of ANSI B186.1 Safety Code for Portable Air Tools, available from the following source:

American National Standards Institute, Inc.
11 West 42nd Street
New York, NY 10036.

The use of the word "shall" in the following instructions, indicates that adherence to the particular requirement is necessary to conform to ANSI B186.1.

Tool Application and Usage

Portable tools shall be used only for the purposes intended in their design and within the capacity for which they were intended and rated. It shall be the tool owner's and/or employer's responsibility to instruct each operator in the safe use of the tool. Tools shall not be used without guards and safety

devices as furnished by the manufacturer. Where an air tool is modified or altered, the modifier shall provide the safeguards to enable it to be safely used in the operations intended and to comply with any applicable provisions as contained in ANSI B186.1.

Tool Installation

Pressure regulators shall be used to limit air pressure to the rated pressure where the supply pressure exceeds the tool's rated pressure. Air hoses and lines shall be relieved of compressed air before being disconnected or disjoined, unless there is automatic valve closing protection at the joint being separated. Synthetic lubricants which can cause deterioration of elastomer seals shall not be used in air systems of air tools.

Tool Maintenance

It shall be the tool owner's and/or employer's responsibility to assure that tools are maintained in a safe operating condition. Tool maintenance and repair shall be performed by authorized, trained, competent personnel. Tools shall be disconnected from their compressed air supply before repairs are attempted. Repairs shall be consistent with the manufacturer's recommended procedures. Tool, hoses and fittings shall be replaced if unsuitable for safe operation. It shall be the tool owner's and/or employer's responsibility to keep required rating markings and warnings on the tool in legible condition.

Read these instructions carefully before attempting to install, operate or service this Florida Pneumatic product. Failure to comply with the instructions could result in personal injury and/or property damage! Retain these instructions for future reference.

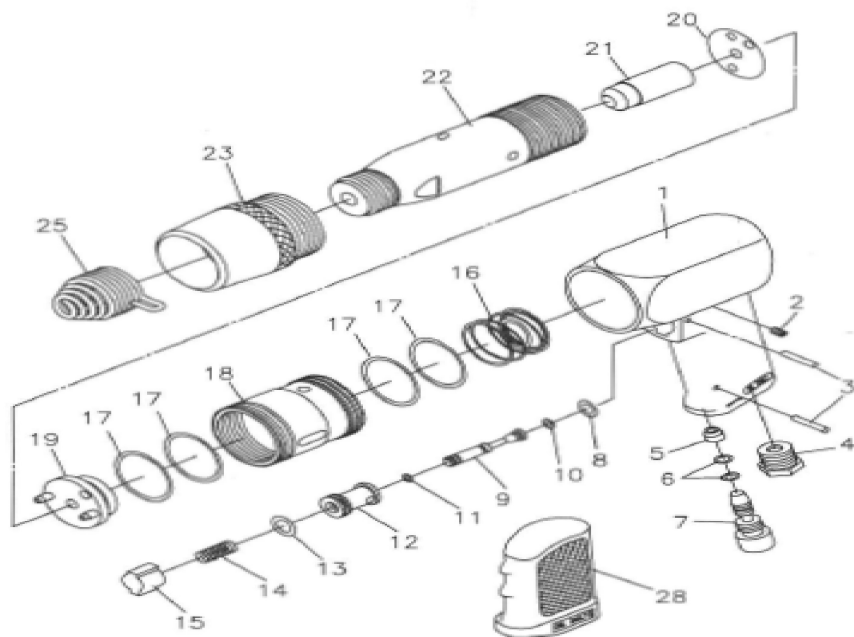
FPMC

PL-0321

Florida Pneumatic Manufacturing Corporation
851 Jupiter Park Lane, Jupiter, Florida 33458

Rev. 05/01 (561) 744-9500 • Fax (561) 575-9134 • Toll Free 1-800-327-9403

Speed.....	3,700 BPM
Chisel size.....	.401" Shank
Stroke length.....	2-1/2"
Length.....	6.0"
Weight.....	2.5 lbs.
Average air consumption.....	4 CFM
Air inlet	1/4" NPT
Recommended hose size.....	3/8" I.D.
Maximum operating pressure.....	90 psi

Parts Breakdown for UT9925

Tool Operation and Maintenance

•Daily, before putting tool into operation, disconnect air hose and pour 1/4 oz. of air tool oil into the air inlet.
 •Blow out air line to clear it of accumulated dirt and moisture. Connect tool and operate momentarily to allow oil to be carried through tool.

•Hose runs longer than 8 feet should be connected to a 1/2" ID hose to provide sufficient volume for proper performance.
 •We recommend oil made exclusively for air tools or equivalents which include moisture absorbants, rust inhibitors, metal wetting agents and an EP (extreme pressure) additive.

Replacement Parts

REF#	PART#	DESCRIPTION	QTY
1	9RL502012BFV1	HOUSING	1
2	9RL50202	SET SCREW	1
3	9RL80513	ROLL PIN(3x22mm)	2
4	9RL20103	INLET BUSHING	1
5	9RL20104	CAP	1
6	9RL20105	O-RING(4.9x2.2mm)	2
7	9RL20106	REGULATOR	1
8	9RL20107	O-RING(11x2.4mm)	1
9	9RL20108	VALVE STEM	1
10	9RL20109	O-RING(3.8x1.9mm)	1
11	9RL80504	O-RING(3.5x1.5mm)	1
12	9RL20111	VALVE BUSHING	1
13	9RL80510	O-RING(12x2mm)	1
14	9RL20113	SPRING	1
15	9RL20114	TRIGGER BUTTON	1
16	9RL50216	CUSHION SPRING	1
17	9RL50217	O-RING(42x2mm)	4
18	9RL50218	CYLINDER SLEEVE	1
19	9RL20115K1	VALVE BLOCK ASSY	1
20	9RL50124	SPACER WASHER	1
21	9RL50120	PISTON FOR MEDIUM AIR HAMMER	1
22	9RL50121	CYLINDER FOR MEDIUM AIR HAMMER	1
23	9RL502233	CLAMPING COVER BLACK	1
25	9RL201221	BEE HIVE SPRING RETAINER	1
28	9RL50123CU	COMFORT GRIP (BLACK)	1

Limited Warranty

Universal Tool warrants its tools to be free from defects in material and workmanship for one year from the date of purchase. This warranty does not apply to tools which have been abused, misused, modified or repaired by someone other than Universal Tool or its authorized service centers. If a Universal Tool proves defective in material of workmanship within one year after purchase, return it to any authorized service center or to Universal Tool, freight prepaid. Please enclose your name, address and adequate proof of purchase date with a brief description of the defect. Universal Tool will, at its option, repair or replace defective tools, free of charge. Repairs or replacements are warranted as described above for the remainder of the warranty period. Universal Tool's sole liability and your exclusive remedy under this warranty is limited to repair or replacement of the defective tool. There are no other warranties expressed or implied and Universal Tool shall not be liable for incidental, consequential or special damages, or any other damages, costs or expense of repair or replacement as described above.