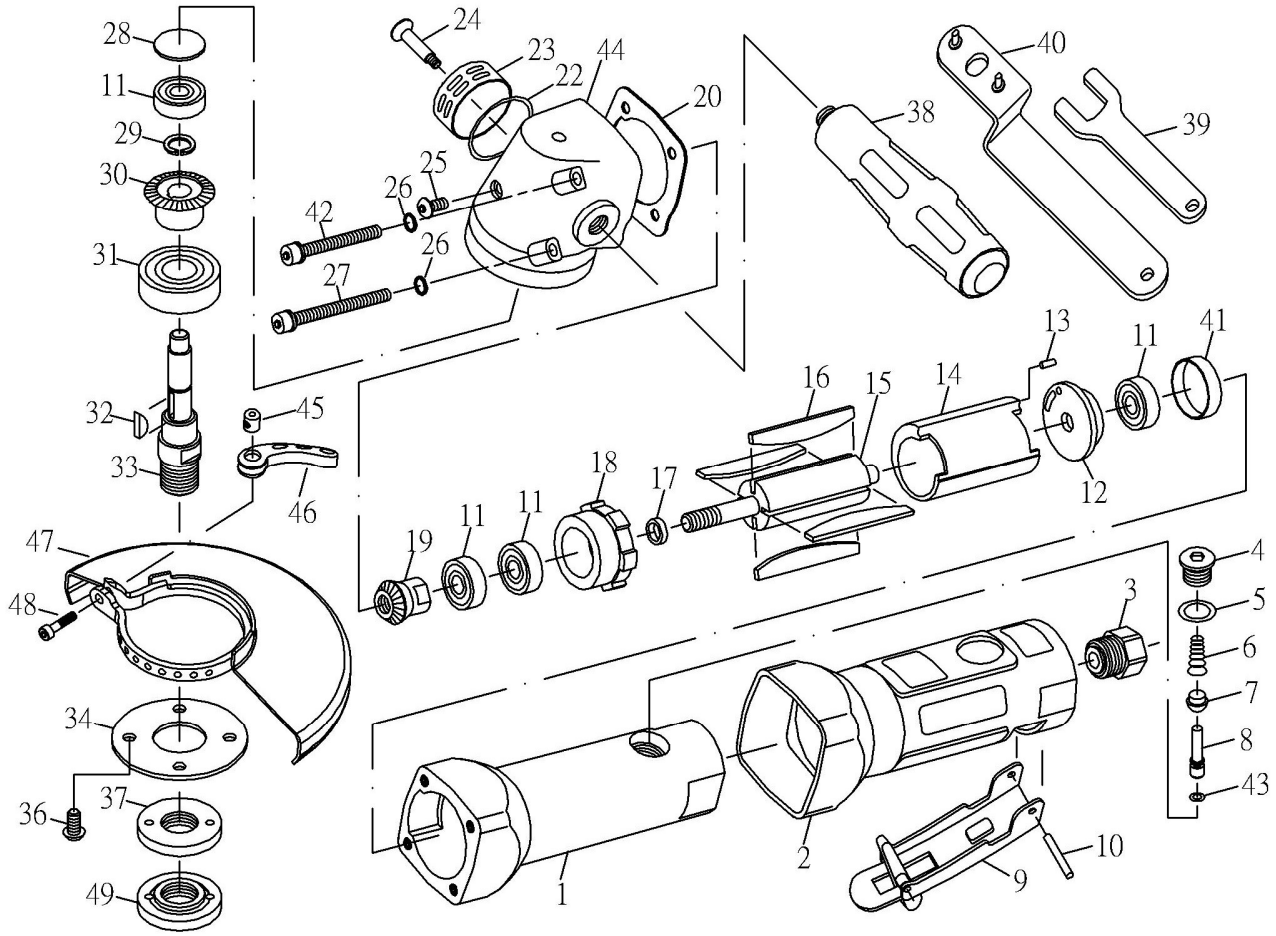


## UT9750B 5" HEAVY DUTY GRINDER



NO	FP NO	STORM NO.	DESCRIPTION	Q'TY	NO	FP NO	STORM NO.	DESCRIPTION	Q'TY
1	980401	ST804-01	HOUSING	1	26	980426	ST804-26	SPRING WASHER	4
2	980402	ST804-02	PROTECTING RUBBER	1	27	980427	ST804-27	SCREW (55mm)	2
3		70426.3	AIR INLET (BSP)	1	28	980428	ST804-28	SPACER	1
4	980404	ST804-04	SCREW	1	29	980429	ST804-29	RETAINING RING	1
5	980405	ST804-05	O-RING	1	30	980519	ST804-30	BEVEL GEAR	1
6	980406	ST804-06	SPRING	1	31	980431	ST804-31	BALL BEARING (6202ZZ)	1
7	980407	ST804-07	VALVE STEM BUSHING	1	32	980432	ST804-32	KEY	1
8	980408	ST804-08	VALVE STEM	1	33		80536.2	SHAFT (M14*2P)	1
9	980409	ST804-09	LEVER	1	34	980434	ST804-34	FACE PLATE	1
10	980410	ST804-10	PIN	1	36	980436	ST804-36	SCREW	4
11	980411	ST804-11	BALL BEARING (608ZZ)	4	37		ST85562.1A	DISC NUT (M14*2P)	1
12	980412	ST804-12	REAR PLATE	1	38	980438	ST804-38	HANDLE (113mm)	1
13	980413	ST804-13	PIN(STEEL BALL)	1	39	9804541	ST8045-39	STOP SPANNER	1
14	980414	ST804-14	CYLINDER	1	40		BT87057	DISC SPANNER	1
15	980415	ST804-15	ROTOR	1	41	980441	ST804-41	SHROUD	1
16	980416	ST804-16	ROTOR BLADE	4	42	980442	ST804-42	SCREW (45mm)	2
17	980417	ST804-17	BEARING SPACER	1	43	980443	ST804-43	O-RING	1
18	980418	ST804-18	FRONT PLATE	1	44	9805R24A	ST805R24A	ANGLE HOUSING	1
19	980519	ST804-19	BEVEL GEAR	1	45	9187551	ST187551	BUSHING	1
20	980420	ST804-20	PACKING	1	46	915466	ST15466	TRIGGER	1
22	980422	ST804-22	O-RING	1	47	9855A37A	ST855A37A	DISC COVER	1
23	980423	ST804-23	EXHAUST SLEEVE	1	48	915468	ST15468	SCREW	1
24	980424	ST804-24	SCREW	1	49		ST85563.1A	DISC NUT (M14*2P)	1
25	980425	ST804-25	SCREW	1					