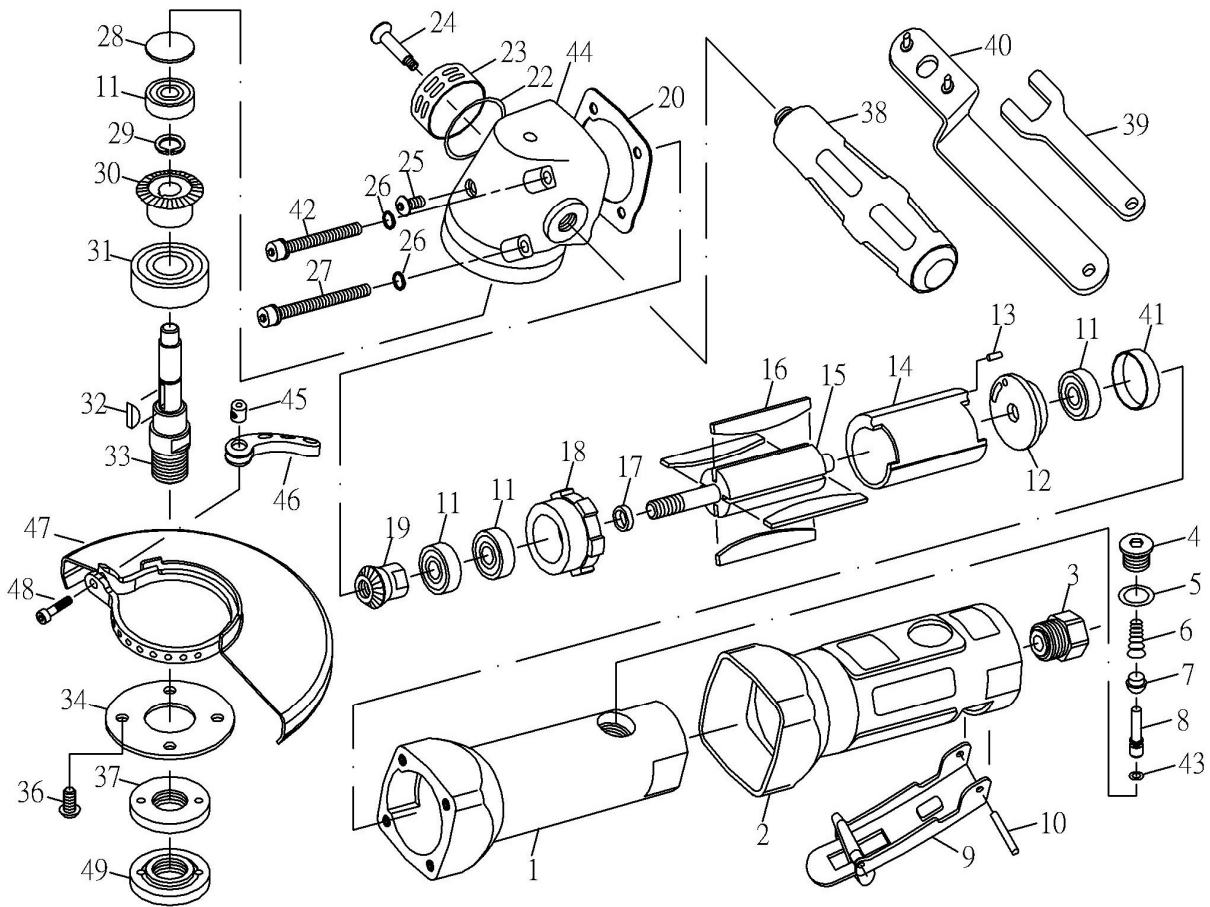


## UT9750 4" HEAVY DUTY ANGLE GRINDER



NO	UT Part no	STORM NO.	DESCRIPTION	Q'TY	NO	UT Part no	STORM NO.	DESCRIPTION	Q'TY
1	UT9750-1	ST804-01	HOUSING	1	26	UT9750-26	ST804-26	SPRING WASHER	4
2	UT9750-2	ST804-02	PROTECTING RUBBER	1	27	UT9750-27	ST804-27	SCREW (55mm)	2
3	UT9750-3	70426.3	AIR INLET (BSP)	1	28	UT9750-28	ST804-28	SPACER	1
4	UT9750-4	ST804-04	SCREW	1	29	UT9750-29	ST804-29	RETAINING RING	1
5	UT9750-5	ST804-05	O-RING	1	30	UT9750-30	ST804-30	BEVEL GEAR	1
6	UT9750-6	ST804-06	SPRING	1	31	UT9750-31	ST804-31	BALL BEARING (6202ZZ)	1
7	UT9750-7	ST804-07	VALVE STEM BUSHING	1	32	UT9750-32	ST804-32	KEY	1
8	UT9750-8	ST804-08	VALVE STEM	1	33	UT9750-33	70406-1	SHAFT (M10*1.5P)	1
9	UT9750-9	ST804-09	LEVER	1	34	UT9750-34	ST804-34	FACE PLATE	1
10	UT9750-10	ST804-10	PIN	1	36	UT9750-36	ST804-36	SCREW	4
11	UT9750-11	ST804-11	BALL BEARING (608ZZ)	4	37	UT9750-37	70401-1	DISC NUT (M10*1.5P)	1
12	UT9750-12	ST804-12	REAR PLATE	1	38	UT9750-38	ST804-38	HANDLE (113mm)	1
13	UT9750-13	ST804-13	PIN(STEEL BALL)	1	39	UT9750-39	ST804-39	STOP SPANNER	1
14	UT9750-14	ST804-14	CYLINDER	1	40	UT9750-40	ST804-40	DISC SPANNER	1
15	UT9750-15	ST804-15	ROTOR	1	41	UT9750-41	ST804-41	SHROUD	1
16	UT9750-16	ST804-16	ROTOR BLADE	4	42	UT9750-42	ST804-42	SCREW (45mm)	2
17	UT9750-17	ST804-17	BEARING SPACER	1	43	UT9750-43	ST804-43	O-RING	1
18	UT9750-18	ST804-18	FRONT PLATE	1	44	UT9750-44	ST805R24A	ANGLE HOUSING	1
19	UT9750-19	ST804-19	BEVEL GEAR	1	45	UT9750-45	ST187551	BUSHING	1
20	UT9750-20	ST804-20	PACKING	1	46	UT9750-46	ST15466	TRIGGER	1
22	UT9750-22	ST804-22	O-RING	1	47	UT9750-47	ST855A37A-1	DISC COVER	1
23	UT9750-23	ST804-23	EXHAUST SLEEVE	1	48	UT9750-48	ST15468	SCREW	1
24	UT9750-24	ST804-24	SCREW	1	49	UT9750-49	ST85456	DISC NUT (M10*1.5P)	1
25	UT9750-25	ST804-25	SCREW	1					