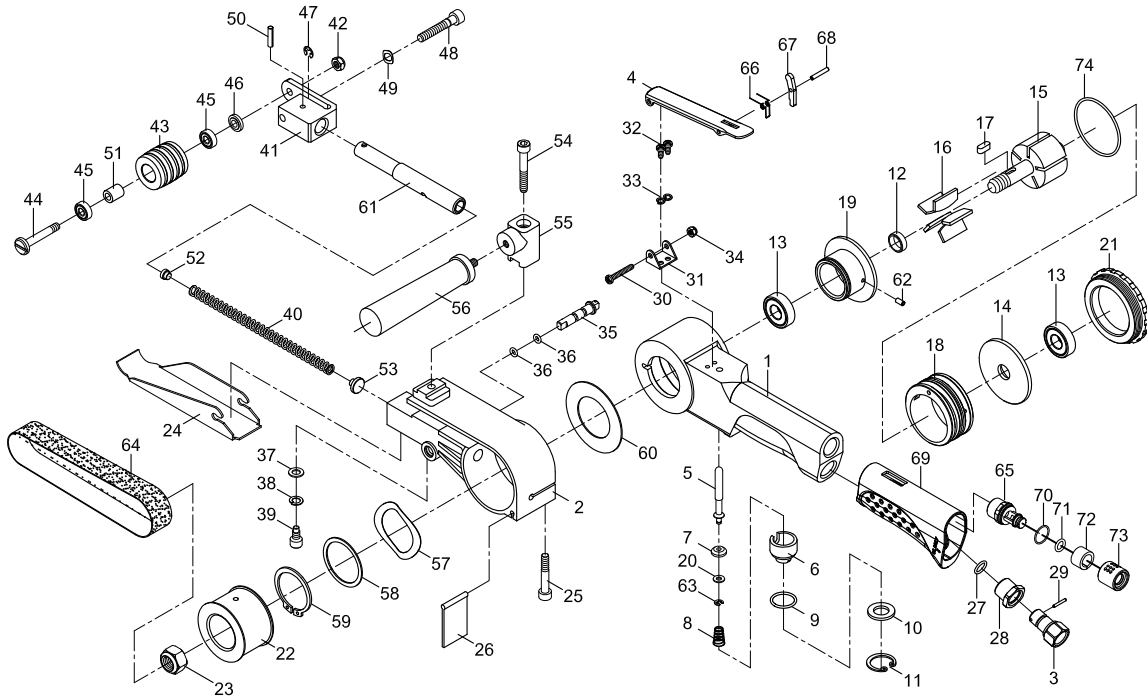


# MINI-BELT SANDER



Index No.	Parts No.	Description	Index No.	Parts No.	Description
1	6X-630001	Housing	38	40344	Spring Washer (M5)
2	63002	Guard	39	62039	Screw
3	6T-620003	Air Inlet	40	63040	Spring
4	6T-620004	Lever	41	63041	Tension Bar
5	6X-630005	Valve Stem	42	63042	Nut (M6)
6	62006	Adjust Valve	43	63043	Idle Pulley
7	63007	Seal	44	63044	Shaft
8	62008	Spring	45	052213	Ball Bearing (2) (696ZZ)
9	62009	O-Ring (14.5*1.5)	46	63046	Spacer
10	62010	Spacer	47	62047	Retaining Ring (ETWJ-4)
11	62011	Retaining Ring (RTW-18)	48	63048	Bolt
12	63012	Distance Collar	49	63049	Waved Lock Washer (WW-6)
13	060313	Ball Bearing (2) (6001ZZ)	50	63050	Spring Pin (4*18L)
14	63014	Rear End Plate	51	63051	Spacer
15	63015	Rotor	52	63052	Spring Retainer
16	63016	Rotor Blade (5)	53	63053	Spring Retainer
17	62017	Key (4*4*10)	54	63054	Bolt (M6*40L)
18	63018	Cylinder	55	63055	Sub Handle Holder
19	63019	Front End Plate	56	63056	Handle
20	63020	Washer (M3)	57	63057	Waved Lock Washer
21	63021	Cap	58	63058	Thrust Washer
22	63022	Drive Pulley	59	63059	Retaining Ring (STW-36)
23	63023	Nut (M12)	60	63060	Thrust Washer
24	63024	Flat Shoe	61	63061	Arm
25	63025	Bolt (M6*35L)	62	63062	Spring Pin (3*6L)
26	63026	Dust Cover	63	60312	Retaining Ring (ETWJ-2.3)
27	40130	O-Ring (8.8*1.7)	64	63064	Grinding Belt
28	6T-620007	Screw	65	66-6133C23	Exhaust Shaft
29	PN02001308	PIN (2*13.8)	66	51541-12	Spring
30	6T-620030	Screw (M4*25L)	67	51540-228	Safety Bar
31	6T-620031	Lever Support	68	40337	Spring Pin (3*18L)
32	6T-620032	Screw (2) (M4*8L)	69	6T-620052	Grip
33	40147	Spring Washer (2) (M4)	70	82209	O-Ring (14*1)
34	6T-620034	Nut (M4)	71	76010	O-Ring (5.8*1.9)
35	63035	Shoe Holder	72	66-6133C25	Muffler
36	63036	O-Ring (2) (3.5*1.5)	73	66-6133C24	Exhaust Sleeve
37	62037	Washer	74	OR05000200	O-Ring (50*2)