



# Universal Tool

## Operator Instructions

Includes - Foreseen Use, Work Stations, Putting Into Service, Operating, Tool Maintenance and Safety Rules

Manufacturer/Supplier

**Universal Air Tool Company Limited**  
**Unit 8**  
**Lane End Industrial Park**  
**High Wycombe**  
**Bucks**  
**HP14 3BY**

Tel No **(01494) 883300** Fax No **(01494) 883237**

Product Nett Weight

**2.65** lbs  
**1.2** Kg

Recommended Use Of  
 Balancer Or Support

**No**

Air Pressure

Recommended Working	<b>6.3</b> bar	<b>90</b> PSI
Recommended Minimum	<b>n/a</b> bar	<b>n/a</b> PSI
Maximum	<b>7.0</b> bar	<b>100</b> PSI

Personal Safety Equipment

Use - Safety Glasses	<b>Yes</b>
Use - Safety Gloves	<b>Yes</b>
Use - Safety Boots	
Use - Breathing Masks	
Use - Ear Protectors	

## Important

**Read these instructions carefully before installing, operating, servicing or repairing this tool. Keep these instructions in a safe accessible place.**

Product Type

**3/8" Angle Drill**  
**Keyless Chuck**

RPM  
**1,800**  
 Cycles Per Min



Model No/Nos

**UT8806**

Serial No

**1301000 - 2312000**

Recommended Hose Bore  
 Size - Minimum

**3/8** Ins **10** M/M

Recommended Max.  
 Hose Length

**30** Ft **10** M

Noise Level **Sound Pressure Level 86.0 dB(A)**

Test Method **Tested in accordance with**  
**BS EN ISO 15744:2008**

Vibration Level **3.6 Metres / Sec<sup>2</sup>**

**Uncertainty K = 1.06**

Test Method **Tested in accordance with**  
**BS EN ISO 28927-5:2009**

## Foreseen Use Of Tool

This drill is designed for the purpose of drilling holes in all types of materials, i.e. metals, wood, stone, plastics etc. using drilling bits designed for this purpose. It may be used with other forms of cutting tools, polishing devices or for sanding using coated abrasive products. Before using any such products first check with the manufacturer their suitability for use with this type of drill. Do not use bonded abrasive products (i.e. grinding wheels) or saw blades or any device which has a permitted safe working speed less than the free speed of the drill.

Do not use this drill for any other purpose than that specified without consulting the manufacturer or the manufacturer's authorised supplier.

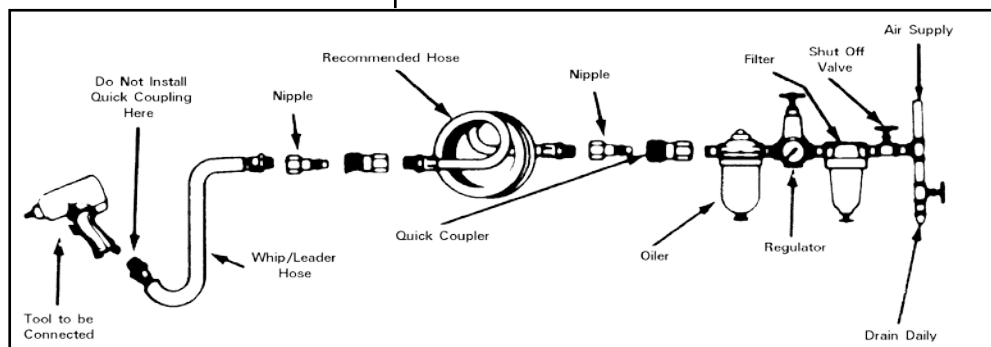
## Work Stations

The tool should only be used as a handheld hand operated tool. It is always recommended that the tool is used when standing on the solid floor. It can be used in other positions but before any such use, the operator must be in a secure position having a firm grip and footing and be aware that the drill can develop a torque reaction see section "Operating".

## Putting Into Service

### Air Supply

Use a clean lubricated air supply that will give a measured air pressure at the tool of 90 p.s.i./6.3 bar when the tool is running with the trigger fully depressed. Use recommended hose size and length. It is recommended that the tool is connected to the air supply as shown in figure 1. Do not connect the tool to the air line system without incorporating an easy to reach and operate air shut off valve. The air supply should be lubricated. It is strongly recommended that an air filter, regulator, lubricator (FRL) is used as shown in Figure 1 as this will supply clean, lubricated air at the correct pressure to the tool. Details of such equipment can be obtained from your supplier. If such equipment is not used then the tool should be lubricated by shutting off the air supply to the tool, depressurising the line by pressing the trigger on the tool. Disconnect the air line and pour into the intake bushing a teaspoonful (5ml) of a suitable pneumatic motor lubricating oil preferably incorporating a rust inhibitor. Reconnect tool to air



supply and run tool slowly for a few seconds to allow air to circulate the oil. If tool is used frequently lubricate on daily basis and if tool starts to slow or lose power.

It is recommended that the air pressure at the tool whilst the tool is running is 90 p.s.i./6.3 bar. The tool can run at lower and higher pressures with the maximum permitted working air pressure of 100 p.s.i./7.0 bar.

---

## Operating

Select suitable drill bit, insert the shank into the drill chuck as far as possible and tighten chuck by hand (keyless) or with key supplied (chuck & key) making sure that the shank of the device is securely clamped centrally between the three chuck jaws. Remove chuck key. When drilling holes of all sizes it is advised to use a pointed punch to mark the centre at which the hole is to be drilled as this will provide a starting point for the drill tip. This procedure will prevent the drill bit from skidding, ensure that the hole is drilled where intended and help to prevent drill breakage when using small drills. When drilling, particularly with small diameter drills, always try to ensure that load applied to the drill is such that the drill bit is always at right angles to the hole being drilled. Do not force the drill but allow it to cut.

When drilling always adopt a firm posture to be able to counteract any sudden movement of the drill due to torque reaction. Such torque reaction can occur when the drill stalls due to a too heavy load being applied or the material being too hard or tough. The torque reaction can occur when the drill breaks through the material being drilled, particularly on sheet metal. Always use eye protection and hand protection is advised, particularly when drilling holes in metals where the material being removed from the hole is in the form of long sharp strips. If present, do not tie the drill chuck key to the drill as the attaching device i.e. string or chain could become entangled with the rotating chuck and bit etc.

If using an abrasive device, drilling stone or performing any operation where dust is created, it is recommended to use a breathing mask. Always ensure that the material to be drilled is firmly fixed to prevent its movement.

It is also recommended that when drilling holes of large diameter to first pre drill a hole of smaller diameter as this will reduce effort required to drill the hole and minimise torque reaction.

---

## Tool Maintenance

It shall be the tool owner's and/or employer's responsibility to assure that tools are maintained in a safe operating condition. Tool maintenance and repair shall be performed by authorised, trained, competent personnel. Tools shall be disconnected from their compressed air supply before repairs are attempted. Repairs shall be consistent with the manufacturer's recommended procedures. Tool, hoses and fittings shall be replaced if unsuitable for safe operation. It shall be the tool owner's and/or employer's responsibility to keep required rating markings and warnings on the tool in legible condition.

---

## Safety Rules When Using A Drill

- 1) Read all the instructions before using this tool. All operators must be fully trained in its use and aware of these safety rules. All service and repair must be carried out by trained personnel.
- 2) Always select a suitable cutting, abrasive device suitable for use with this drill.
- 3) Always shut off the air supply to the drill and depress the trigger to exhaust air from the feed hose before fitting, adjusting or removing the cutting or abrasive device or drill chuck.
- 4) Always adopt a firm footing and/or position and be aware of torque reaction developed by the drill.
- 5) Use only correct spare parts.
- 6) Check hose and fittings regularly for wear. Do not carry the tool by its hose and ensure that the hand is remote from the on/off valve (trigger) when carrying the tool with air supply connected.
- 7) Do not exceed maximum recommended air pressure. Avoid low air

pressures as this will allow the drill to stall more easily and develop torque reaction.

8) Use safety equipment as recommended.

9) The tool is not electrically insulated. Do not use where there is a possibility of coming into contact with live electricity, gas pipes, water pipes, etc. Check the area of operation before performing the operation.

10) Take care against entanglement of moving parts of the tool with clothing, ties, hair, cleaning rags, etc. This will cause the body to be moved towards the work process and can be very dangerous.

11) Do not attempt to hold or guide the drill chuck when the tool is running. Keep hands clear of the drilling process.

12) Use only compressed air at recommended conditions.

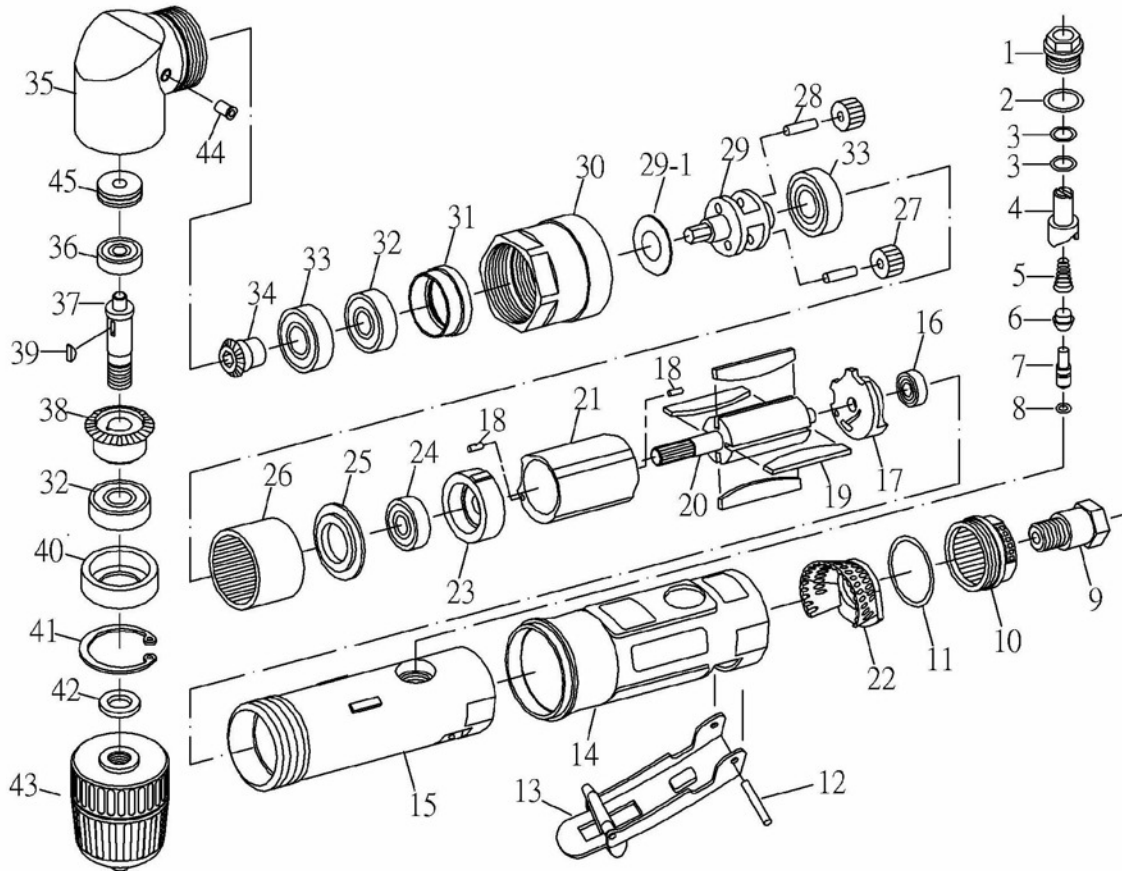
13) Do not attempt to fit attachments, i.e. for sawing, hedge cutting, grinding, chain sawing, etc.

14) If the tool appears to malfunction remove from use immediately and arrange for service and repair.

15) If an additional side handle is fitted to the tool ensure that it is correctly positioned and fixed securely.

16) If the drill is used with a balancer or other suspension device ensure that it is fixed securely.

---



NO	PART NO	DESCRIPTION	QTY	NO	PARTS NO	DESCRIPTION	QTY
01	70001	SCREW	1	24	21024	BEARING (608ZZ)	1
02	70002	O-RING (P12)	1	25	50310	WASHER	1
03	70003	O-RING (P8)	2	26	ST165028	GEAR LINK	1
04	70004	AIR REGULATOR	1	27	70027	IDLER GEAR (16T)	2
05	50332	SPRING	1	28	70028	IDLER GEAR PIN	2
06	70429	VALVE STEM BUSHING	1	29	70029	IDLER GEAR PLATE	1
07	70007B	VALVE STEM	1	29-1	70029-1	WASHER	1
08	OB-04	O-RING (3.5X1.4)	1	30	ST165032	CLAMP NUT	1
09	70009-1	AIR INLET	1	31	22531	BEARING BUSHING	1
10	70010	EXHAUST SLEEVE	1	32	70048A	BEARING (6000ZZ)	2
11	70011	O-RING (26.7X1.78)	1	33	OB-31	BEARING (6001Z)	2
12	70432BK	SPRING PIN (3*24)	1	34	22534	BEVEL GEAR (15T)	1
13	ST80509	LEVER	1	35	ST22535B	ANGLE HOUSING	1
14	70014-80	PROTECTING RUBBER	1	36	22536A	BALL BEARING (626)	1
15	ST21015	HOUSING	1	37	ST165043	SHAFT	1
16	20312	BEARING (696ZZ)	1	38	22538	BEVEL GEAR (30T)	1
17	ST70017	REAR PLATE	1	39	ST70407	KEY	1
18	70018	PIN (2.5*6)	2	40	ST22540A	BEARING BUSHING	1
19	20019	ROTOR BLADE	4	41	ST22541A	CLAMP NUT	1
20	ST165021	ROTOR (9T)	1	42	ST22542A	WASHER	1
21	ST70021	CYLINDER	1	43	24534.1	3/8" KEYLESS	1
22	70022A	CONE MUFFLER	1	44	21029	OIL CUP	1
23	ST70023	FRONT PLATE	1	45	ST165041	BEARING	1

**Declaration of Conformity**  
**Universal Air Tool Company Limited**  
**Unit 8, Lane End Industrial Park, High Wycombe, Bucks, HP14 3BY, England**

declare under that the product

**Model UT8806 3/8" Angle Drill**

to which this declaration relates is in conformity with the following standard(s) or other normative document(s)

**BS EN ISO 12100:2010 & BS EN ISO 11148-3:2010**

following the provisions of **Machinery Directive 2006/42/EC**

**Lane End**

ARTHUR PATERSON



Place of issue

For and on behalf of the company

**Accessories**

**Notes**

**Distributor**

© Copyright of Universal Air Tool Company Limited, established in the United Kingdom, 1994

This document may not be copied wholly or in part by anyone without the consent of the Directors of Universal Air Tool Company Limited