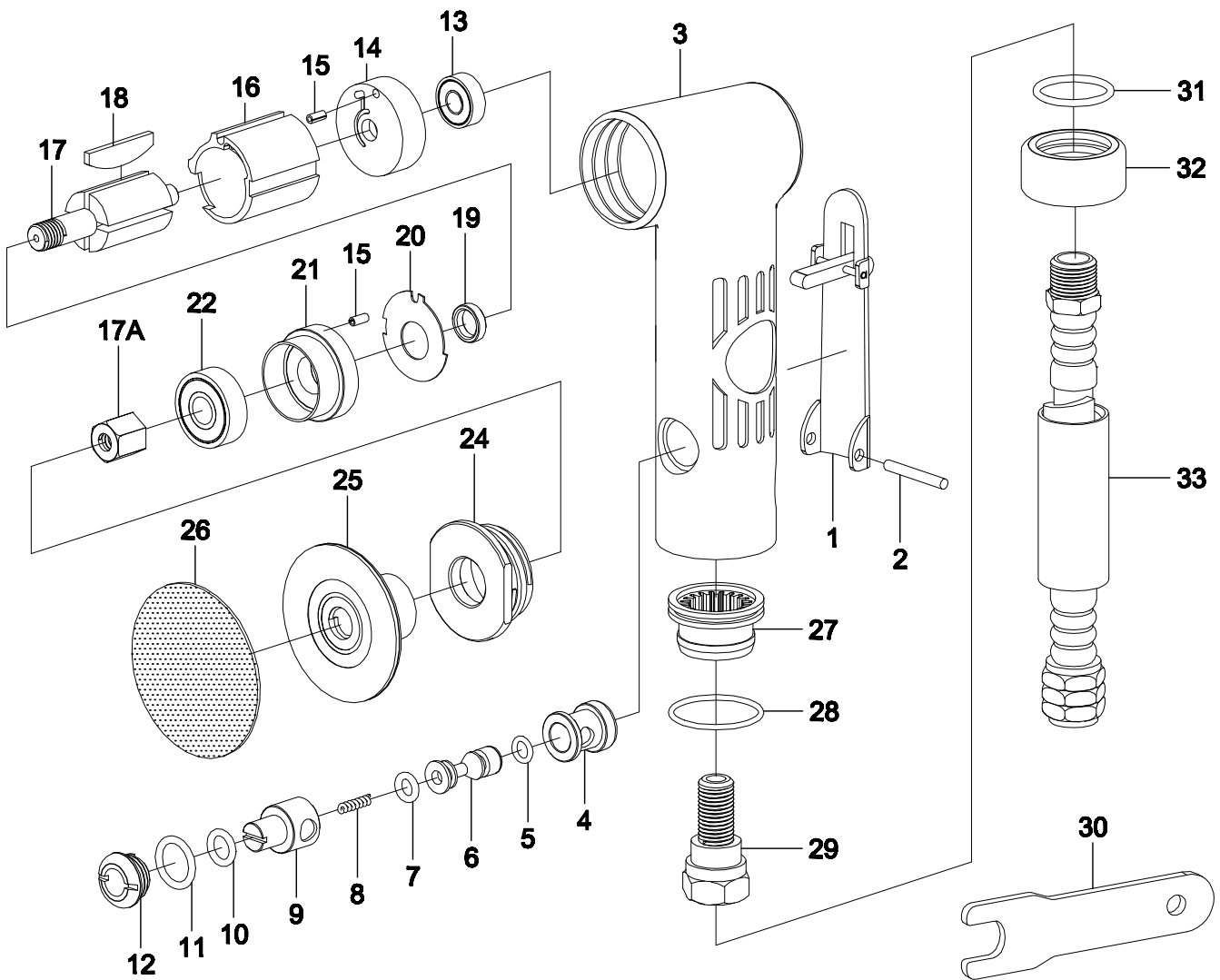


0.3HP ANGLE HEAD SANDER



Ref.No.	Part No.	Description	Q'ty	Ref.No.	Part No.	Description	Q'ty
1	308CH001	Throttle Lever	1	17A	308CH17A	Hex Nut	1
2	308CH002	Spring Pin	1	18	308CH018	Blade	4
3	308CH003	Housing	1	19	308CH019	Collar	1
4	308CH004	Valve Bushing	1	20	308CH020	Steel Plate	1
5	308CH005	O-Ring	1	21	308CH021	Front Plate	1
6	308CH006	Valve Stem	1	22	308CH022	Bearing	1
7	308CH007	O-Ring	1	24	308CH024	Lock Ring	1
8	308CH008	Valve Spring	1	25	308CH025	Dsic Holder	1
9	308CH009	Air Controller	1	26	308CH026	SandingDsic	1
10	308CH010	O-Ring	1	27	308CH027	Exhaust Sleeve	1
11	308CH011	O-Ring	1	28	308CH028	O-Ring	1
12	308CH012	Valve Screw	1	29	308CH029	Air Inlet	1
13	308CH013	Bearing	1	30	308CH030	Wrench(11mm)	1
14	308CH014	End Plate	1	31	308CH031	O-Ring	1
15	308CH015	Pin	2	32	308CH032	Clamp Ring	1
16	308CH016	Cylinder	1	33	308CH033	Air Hose Ass'y	1
17	308CH017	Rotor	1				