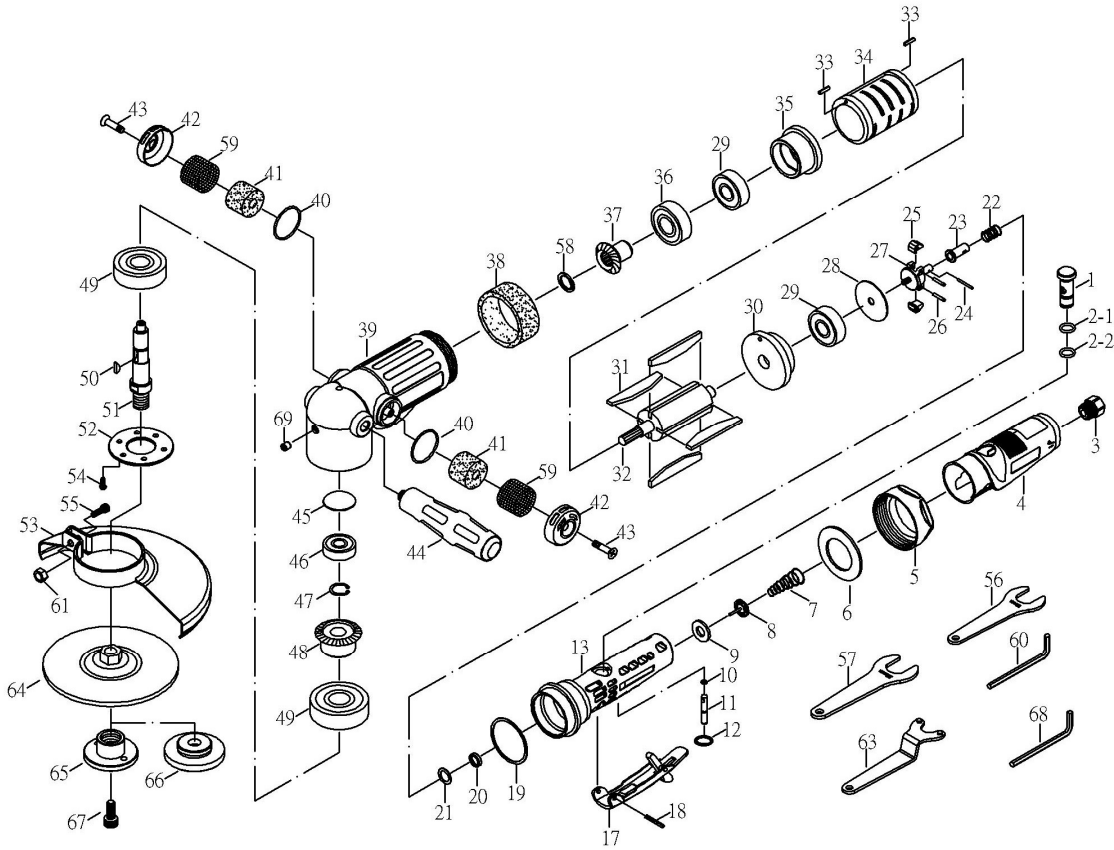


UT8766 7" AIR ANGLE DIE GRINDER



NO	UT Part no	PART NO	DESCRIPTION	QTY	NO	UT Part no	PART NO	DESCRIPTION	QTY
1	8766-1	ST87001	REGULATOR	1	36	8766-36	ST87036	BEARING (6202ZZ)	1
2-1	8766-2-1	OB-02	O-RING (P10)	1	37	8766-37	ST87037	BEVEL GEAR (13T)	1
2-2	8766-2-2	ST288303	O-RING (P9)	1	38	8766-38	ST87038	SILENCER	1
3	8766-3	ST87003-2	INLET BUSHING (BSP)	1	39	8766-39	ST87039	ANGLE HOUSING	1
4	8766-4	ST87004	PROTECTING RUBBER	1	40	8766-40	70011	O-RING (26.7*1.78 A-023)	2
5	8766-5	ST87005	CLAMP NUT	1	41	8766-41	ST87041	SILENCER	2
6	8766-6	ST87006	WASHER (47.5*56.5*1T)	1	42	8766-42	ST87042	EXHAUST SLEEVE	2
7	8766-7	ST87007	SPRING	1	43	8766-43	ST87043A	SCREW (M5*0.8P*14L)	2
8	8766-8	ST87008	VALVE	1	44	8766-44	BT87044	HANDLE	1
9	8766-9	ST87009	WASHER	1	45	8766-45	ST87045	SPACER (26*1T)	1
10	8766-10	OB-04	O-RING (3.5*1.4)	1	46	8766-46	ST87046	BEARING (629ZZ)	1
11	8766-11	ST288306	VALVE STEM	1	47	8766-47	ST87047	RETAINING RING (STW-15)	1
12	8766-12	OB-03	SNAP RING	1	48	8766-48	ST87048	BEVEL GEAR (20T)	1
13	8766-13	ST87013	HOUSING	1	49	8766-49	ST87049	BEARING (6303ZZ)	2
17	8766-17	ST80509	LEVER	1	50	8766-50	ST87050	KEY (5*16)	1
18	8766-18	12012.1	PIN (3*24L)	1	51	8766-51	ST87051A-1	SHAFT (M14*2P)	1
19	8766-19	ST87019	WASHER (45*50*0.8T)	1	52	8766-52	ST87052	FACE PLATE	1
20	8766-20	ST87020	SPRING HOLDER	1	53	8766-53	ST87053A	DISC COVER (7")	1
21	8766-21	ST87021	WASHER (14*9.5*0.5T)	1	54	8766-54	ST70403	SCREW (M5*12L)	6
22	8766-22	ST87022	SPRING (9.7*1.2T*16.5)	1	55	8766-55	ST87054	SCREW (M8*20L)	1
23	8766-23	ST87023	GOVERNOR VALVE	1	56	8766-56	BT87056	STOP SPANNER (19mm)	1
24	8766-24	ST87024	PIN (2*11.8L)	1	57	8766-57	BT88045	STOP SPANNER (25mm)	1
25	8766-25	ST87025	GOVERNOR WEIGHT	2	58	8766-58	ST87058	SNAP RING (STW-9)	1
26	8766-26	ST87026	GOVERNOR PIN	2	59	8766-59	ST87059	STAINLESS MESH	2
27	8766-27	ST87027	GOVERNOR CAGE	1	60	8766-60	BT87060	HEX (6MM)	1
28	8766-28	ST87028	WASHER	1	61	8766-61	ST87056	NUT	1
29	8766-29	ST87029	BEARING (6201ZZ)	2	63	8766-63	BT87057	DISC SPANNER	1
30	8766-30	ST87030	REAR PLATE	1	64	8766-64	880-41A	FACE PLATE	1
31	8766-31	ST87031	ROTOR BLADE	4	65	8766-65	880-42	DISC NUT	1
32	8766-32	ST87032	ROTOR	1	66	8766-66	880-43	DISC NUT	1
33	8766-33	81326	PIN (3*8L)	2	67	8766-67	880-44	SCREW	1
34	8766-34	ST87034	CYLINDER	1	68	8766-68	60929	HEX (5MM)	1
35	8766-35	ST87035	FRONT PLATE	1	69	8766-69	21029	OIL CUP	1