

PLEASE READ AND FOLLOW ALL WARNINGS



MODEL NO. UT8719/UT8719K
DESCRIPTION

Read Operating Instructions

Always become familiar with all the instructions and warnings before operating any power tool.

Always Wear Approved Eye Protection

Impact resistant eye protection should meet or exceed the standards as set forth in the United States ANSI Z87.1, Occupational and Educational Eye and Face Protection. Look for the marking Z87.1 on your eye protection to insure that it is an approved style. For further information, ANSI Z87.1, Occupational and Educational Eye and Face Protection, is available from the American National Standards Institute, Inc., 11 West 42nd Street, New York, NY 10036.

Hearing Protection is Recommended

Hearing protection should be used when the noise level exposure equals or exceeds an 8 hour time-weighted average sound level of 85 dBA. Process noise, reflective surfaces, other tools being operated nearby, all add to the noise level present in your work area. If you are unable to determine your noise level exposure, we recommend the use of hearing protection.

Avoid Prolonged Exposure to Vibration

Pneumatic tools can vibrate during use. Prolonged exposure to vibration or very repetitive hand and arm movements, can cause injury. Stop using any tool if discomfort, tingling feeling or pain occurs. You should consult your physician before resuming use of the tool.

90 PSIG Maximum

This tool is designed to operate at an air pressure of 90 pounds per square inch gauge pressure (90 PSIG) maximum, at the tool. Use of higher air pressure can, and may cause injury. Also, the use of higher air pressure places the internal components under loads and stresses they were not designed for, causing premature

WARNING:

Some dust created by power sanding, sawing, grinding, drilling, and other construction activities contains chemicals known to cause cancer, birth defects or reproductive harm. Some examples of these chemicals are:

- Lead from lead-based paints
- Crystalline silica from bricks, cement and other masonry products
- Arsenic and chromium from chemically treated lumber

Your risk from these exposures varies, depending on how often you do this type of work. To reduce your exposure to these chemicals, work in a well-ventilated area and work with approved safety equipment such as those dust masks that are specially designed to filter out microscopic particles.

Description

Universal Tool Multi-Angle Belt Sander is designed for hard-to-reach corners, contours, and hard-to-finish surfaces. Used to sand, grind, and finish aluminum, steel, cast iron, plywood, plastic and stone. **Please note : Multi-Angle Belt Sanders are not designed for sanding directly on the front roller.**



UT8719 (Shown with Kit)

intended and rated. It shall be the tool owner's and/or employer's responsibility to instruct each operator in the safe use of the tool. Tools shall not be used without guards and safety devices as furnished by the manufacturer. Where an air tool is modified or altered, the modifier shall provide the safeguards to enable it to be safely used in the operations intended and to comply with any applicable provisions as contained in ANSI B186.1.

Tool Installation

Pressure regulators shall be used to limit air pressure to the rated pressure where the supply pressure exceeds the tool's rated pressure. Air hoses and lines shall be relieved of compressed air before being disconnected or disjoined, unless there is automatic valve closing protection at the joint being separated. Synthetic lubricants which can cause deterioration of elastomer seals shall not be used in air systems of air tools.

Tool Maintenance

It shall be the tool owner's and/or employer's responsibility to assure that tools are maintained in a safe operating condition. Tool maintenance and repair shall be performed by authorized, trained, competent personnel. Tools shall be disconnected from their compressed air supply before repairs are attempted. Repairs shall be consistent with the manufacturer's recommended procedures. Tool, hoses and fittings shall be replaced if unsuitable for safe operation. It shall be the tool owner's and/or employer's responsibility to keep required rating markings and warnings on the tool in legible condition.

Safety Instructions

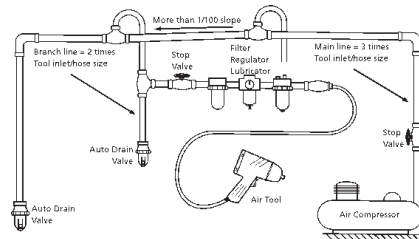
The following instructions are furnished as general guidelines for use of your pneumatic tool. They cannot comprehensively cover all possible or conceivable uses of the subject tool. For additional information on the safe use of air tools, we advise you to obtain a copy of ANSI B186.1 Safety Code for Portable Air Tools, available from the following source:

American National Standards Institute, Inc.
11 West 42nd Street
New York, NY 10036.

The use of the word "shall" in the following instructions, indicates that adherence to the particular requirement is necessary to conform to ANSI B186.1.

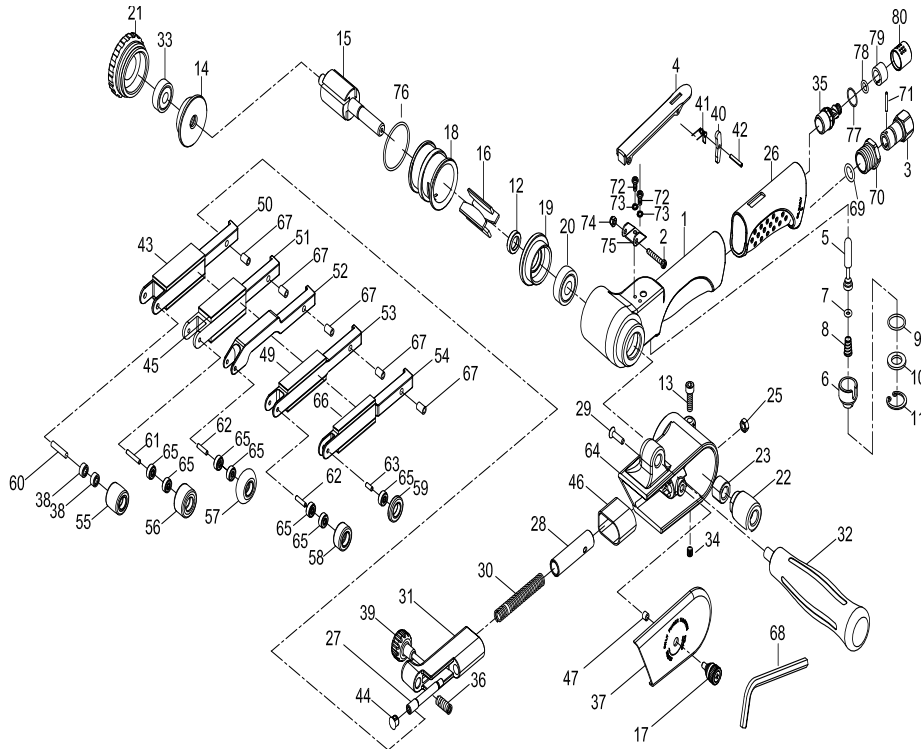
Tool Application and Usage

Pneumatic tools shall be used only for the purposes intended in their design and within the capacity for which they were



Specifications:

RPM	18,000
Weight	2.9 lbs
Length	15.35"
Max belt width	¾"
Air Inlet	¼ NPT
Rec Hose	3/8"



Ref. #	Part NO.	Description	Qty.
1	962001-1	HOUSING	1
2	96T-620030	SCREW (M4X25L)	1
3	96T-620003	AIR INLET	1
4	96T-620004	THROTTLE LEVER	1
5	962005-1	VALVE STEM	1
6	962006-1	VALVE	1
7	9000016	O-RING (3.8X1.9)	1
8	962008-1	SPRING	1
9	962009-1	O-RING (14.5X1.5)	1
10	962010-1	SPACER	1
11	962011-1	RETAINING RING (RTW-18)	1
12	962012-1	SPACER	1
13	9619047	CAP SCREW (M5X16)	1
14	962014-1	REAR END PLATE	1
15	96T-620115	ROTOR	1
16	962016-1	ROTOR BLADE	4
17	96T-620107	SCREW	1
18	962018-1	CYLINDER	1
19	962019-1	FRONT END PLATE	1
20	9051220	BALL BEARING (6000ZZ)	1
21	962021-1	CAP	1
22	96T-620122	DRIVE WHEEL	1
23	96T-620123	NUT	1
25	96T-620125	HEX. NUT	1
26	96T-620052	GRIP	1
27	96T-620127	GUIDE POST	1
28	96T-620128	SUPPORT ROD	1
29	96T-620129	SCREW	1
30	96T-620130	SPRING	1
31	96T-620131	TENSION ARM	1
32	96T-620132-0018S	HANDLE	1
33	9960120	BALL BEARING (608ZZ)	1
34	96T-620145	SCREW THREAD INSERTS	1
35	966-6133C23	EXHAUST SHAFT	1
36	96T-620136	SPRING	1
37	96T-620137	GUARD	1
38	9061038	BALL BEARING (684ZZ)	2
39	96T-620139-0018S	KNOB	1
40	951540-228	SAFETY BAR	1

Ref. #	Part NO.	Description	Qty.
41	951541-12	SPRING	1
42	940337	SPRING PIN (3*18L)	1
43	96T-620143	PLATEN PAD	2
44	96T-620144	PLUG	1
45	96U-620143	PLATEN PAD	2
46	96T-620140	DUST COVER	1
47	96T-620146	SCREW THREAD INSERTS	1
49	96W-620143	PLATEN PAD	2
50	96T-620141	CONTACT ARM	1
51	96U-620141	CONTACT ARM	1
52	96V-620141	CONTACT ARM	1
53	96W-620141	CONTACT ARM	1
54	96X-620141	CONTACT ARM	1
55	96T-620134-0002S	IDLE PULLEY	1
56	96U-620134-0002S	IDLE PULLEY	1
57	96V-620134-0002S	IDLE PULLEY	1
58	96W-620134-0002S	IDLE PULLEY	1
59	96X-620134-0002S	IDLE PULLEY	1
60	970125	PIN	1
61	9PN03001708	PIN	1
62	9PN03001208	PIN (3X12.8)	2
63	9PN03000708	PIN (3X7.8)	1
64	96T-620102	GUARD BODY	1
65	90623ZZ	BALL BEARING (623ZZ)	7
66	96X-620143	PLATEN PAD	2
67	96T-620147	SCREW THREAD INSERTS	5
68	910014S	HEX. KEY WRENCH	1
69	940330	O-RING	1
70	96T-620007	SCREW	1
71	9PN02001308	PIN (2X13.8)	1
72	96T-620032	SCREW (M4X8L)	2
73	940147	SPRING WASHER	2
74	96T-620034	NUT (M4)	1
75	96T-620031	LEVER SUPPORT	1
76	90R02607108	O-RING	1
77	982209	O-RING	1
78	976010	O-RING	1
79	966-6133C25	MUFFLER	1
80	966-6133C24	EXHAUST SLEEVE	1

Limited Warranty

Universal Tool warrants its tools to be free from defects in material and workmanship for one year from the date of purchase. This warranty does not apply to tools which have been abused, misused, modified or repaired by someone other than Universal Tool or its authorized service centers. If a Universal Tool proves defective in material of workmanship within one year after purchase, return it to any authorized service center or to Universal Tool, freight prepaid. Please enclose your name, address and adequate proof of purchase date with a brief description of the defect. Universal Tool will, at its option, repair or replace defective tools, free of charge. Repairs or replacements are warranted as described above for the remainder of the warranty period. Universal Tool's sole liability and your exclusive remedy under this warranty is limited to repair or replacement of the defective tool. There are no other warranties expressed or implied and Universal Tool shall not be liable for incidental, consequential or special damages, or any other damages, costs or expense of repair or replacement as described above.