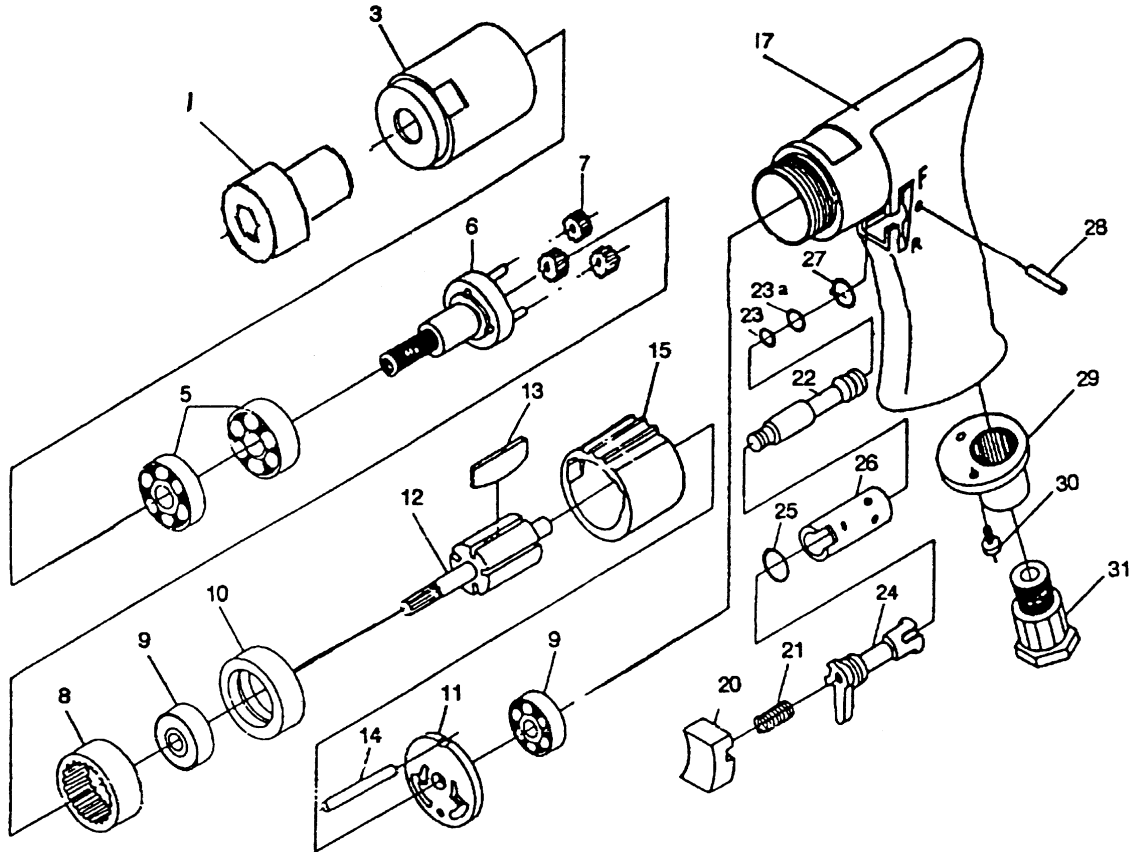


UT5825-S Direct Drive Stall Torque Screwdriver



Ref No	Part No	Description
1	99005	Slip Chuck
3	6120003	Gear Housing
5	6120005	Ball Bearing (2)
6	6120006	Planet Carrier
7	6120007	Planet Gear (3)
8	6120008	Internal Gear
9	6120009	Ball Bearing (2)
10	6120010	Bearing Case
11	6120011	End Plate (2)
12	6120012	Rotor
13	6120013	Rotor Blade (4)
14	6120014	Motor Pin
15	6120015	Cylinder

Ref No	Part No	Description
17	6120017	Motor Housing
20	6120020	Trigger
21	6120021	Valve Spring
22	6120022	Throttle Valve
23	6120023	O-Ring
23A	6120023A	O-Ring
24	6120024	Reverse Valve
25	6120025	O-Ring
26	6120026	Reverse Valve Bush
27	6120027	O-Ring
28	6120028	Pin
29	6120029	Exhaust Deflector
30	6120030	Screw (2)
31	6120031	Air Inlet