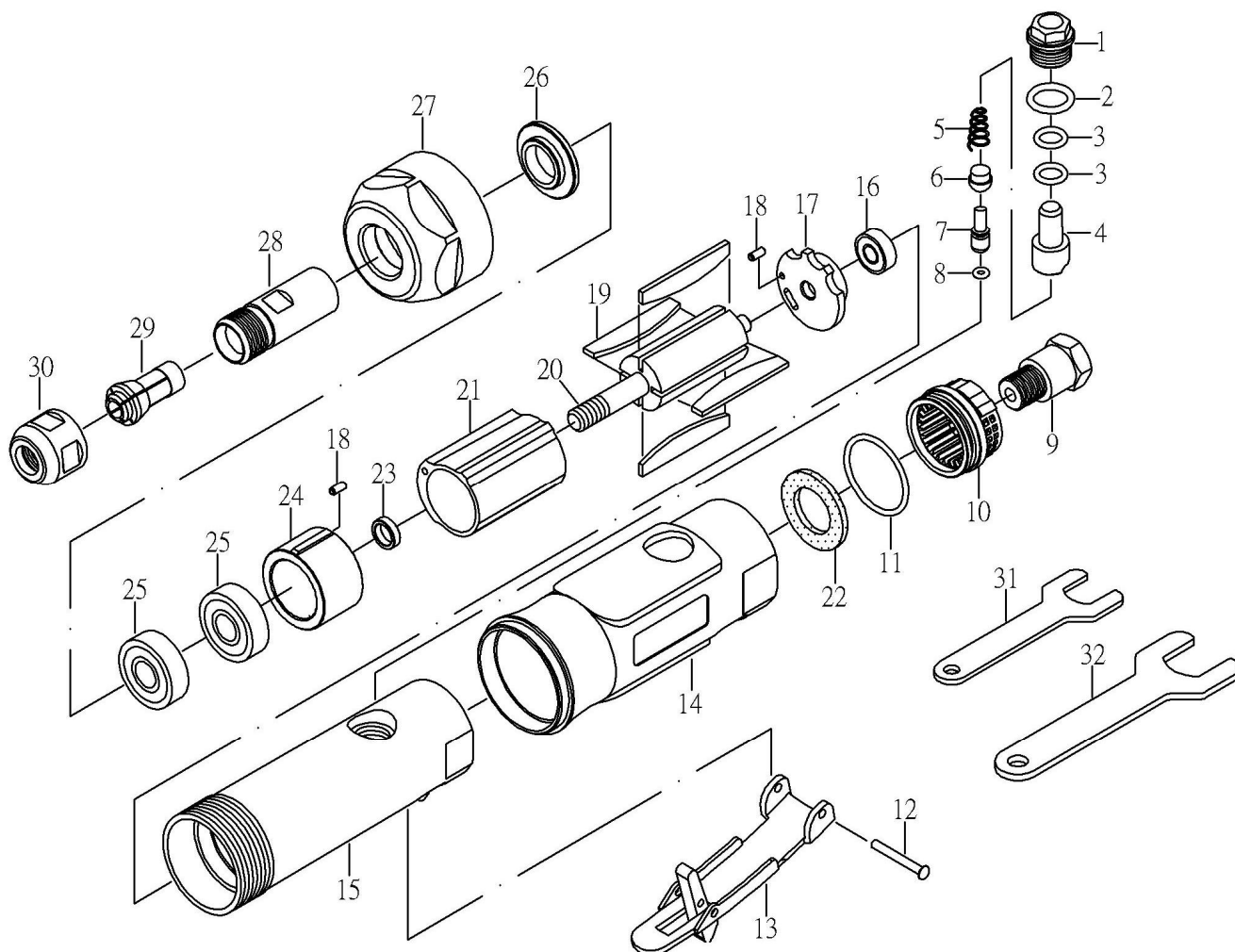


# MINI DIE GRINDER UT5710B



NO	PARTS NO	DESCRIPTION	Q'TY
01	12001	SCREW	1
02	70002	O-RING (P12)	1
03	70003	O-RING (P8)	2
04	12004	AIR REGULATOR	1
05	50332	SPRING	1
06	70429	VALVE STEM BUSHING	1
07	12007	VALVE STEM	1
08	OB-04	O-RING(3.5*1.4)	1
09	70009-2	AIR INLET (BSP)	1
10	12010	EXHAUST SLEEVE	1
11	90444	O-RING	1
12	70432BK	PIN	1
13	ST80509	LEVER	1
14	12014-14	PROTECTING RUBBER	1
15	ST12015	HOUSING	1
16	20312	BEARING (696ZZ)	1

NO	PARTS NO	DESCRIPTION	Q'TY
17	ST12017A	REAR PLATE	1
18	12018	PIN	2
19	12019	ROTOR BLADE	4
20	ST120K20	ROTOR	1
21	ST12021	CYLINDER	1
22	12030	CONE MUFFLER	1
23	20022	BEARING SPACER	1
24	ST12023	FRONT PLATE	1
25	21024	BEARING (608ZZ)	2
26	12025	WASHER	1
27	ST12026	CLAMP NUT	1
28	20027	SPINDLE	1
29	21036	COLLET (6mm)	1
30	21037	COLLET NUT	1
31	BT21038-14	STOP SPANNER 14MM	1
32	BT21039-19	STOP SPANNER 19MM	1