



Questions, problems, missing parts?

US	UK
<p>Call Customer Service 8 a.m.-5 p.m., EST, Monday-Friday</p>	<p>Call Customer Service 0900-1700 Monday-Friday</p>
<p>1-800-356-3392</p>	<p>01494-883300</p>
<p>Universal Tool a Division of Florida Pneumatic Mfg. Corp. 851 Jupiter Park Lane, Jupiter FL 33458 sales@florida-pneumatic.com www.Florida-Pneumatic.com</p>	<p>Universal Air Tools Company Ltd. Unit 8 Lane End Industrial Park High Wycombe, HP14 3BY, UK sales@universal.co.uk www.universal.co.uk</p>




UT2964A
Adjustable Clutch Screwdriver
SCREWDRIVERS

General Safety Information & Replacement Parts




TABLE OF CONTENTS

General Safety Information	2
Air Compressor and Air Tool Safety	2-3
Tool Specifications	3
Installation	4
Maintenance / Lubrication	4
Operation	5
Troubleshooting	6
Warranty	6
Service Parts	7

 **WARNING:** This product contains lead, a chemical known to the State of California to cause cancer and birth defects or other reproductive harm. **Wash hands after handling.**

 **WARNING:** This product contains chemicals known to the State of California to cause cancer and birth defects or other reproductive harm. **Wash hands after handling.**

 **WARNING:** Risk of injury to persons. Read and understand operation instructions. Always become familiar with all the instructions and warnings before operating any pneumatic tool.

Safety Information



7.2.2.3 GENERAL SAFETY RULES

- Multiple hazards. Read and understand the safety instructions before installing, operating, repairing, maintaining, changing accessories on, or working near the power tool. Failure to do so can result in serious bodily injury.
- Only qualified and trained operators should install, adjust or use the power tool.
- Do not modify this power tool. Modifications may reduce the effectiveness of safety measures and increase the risks to the operator.
- Do not discard the safety instructions – give them to the operator.
- Do not use a tool if the tool has been damaged.
- Warnings shall be given against the risk of explosion or fire due to the material being processed;
- Warnings shall be given against the risk of cutting.



7.2.2.4 PROJECTILE HAZARDS

- Failure of the work piece, of accessories, or even of the tool itself may generate high velocity projectiles.
- Always wear impact-resistant eye protection during operation of the tool. The grade of protection required should be assessed for each use.



7.2.2.5 ENTANGLEMENT HAZARDS

- Entanglement hazard - choking, scalping and/or lacerations can occur if neck ware, hair or gloves are not kept away from tool and accessories.



7.2.2.6 OPERATING HAZARDS

- Use of the tool may expose the operator's hands to hazards including crushing, impacts, cuts and abrasions and heat. Wear suitable gloves to protect hands.
- Operators and maintenance personnel must be physically able to handle the bulk, weight and power of the tool.
- Hold the tool correctly: be ready to counteract normal or sudden movements – have both hands available.
- Maintain a balanced body position and secure footing.
- Keep hands away from rotating or reciprocation accessories, spindles or other moving parts.
- Release the start and stop device in the case of an interruption of the energy supply
- Use only lubricants recommended by the manufacturer.



7.2.2.7 REPETITIVE MOTIONS HAZARDS

- When using a power tool, you may experience discomfort in your hands, arms, shoulders, neck, or other parts of your body.
- While using a power tool, position your body in a comfortable posture. Maintain secure footing and avoid awkward or off-balanced postures. Changing your posture during extended tasks may help avoid discomfort and fatigue.
- If you experience symptoms such as persistent or recurring discomfort, pain, throbbing, aching, tingling, numbness, burning sensation, or stiffness, do not ignore these warning signs. Promptly tell your employer and consult a qualified health professional.



7.2.2.9 WORKPLACE HAZARDS

- Slips, trips and falls are major causes of workplace injury. Be aware of slippery surfaces caused by use of the tool and also of trip hazards caused by the air line or hydraulic hose.
- Proceed with care in unfamiliar surroundings. Hidden hazards may exist, such as electricity or other utility lines.
- This power tool is not intended for use in potentially explosive atmospheres and is not insulated from coming into contact with electric power.
- Make sure there are no electrical cables, gas pipes etc. that could cause a hazard if damaged by use of the tool.



7.2.2.10 DUST AND FUME HAZARDS

- Dust from some work processes can cause cancer, birth defects or other respiratory diseases. Risk assessment of these hazards and implementation of appropriate controls is essential.

- If the pneumatic tool is used in a dust filled environment exhaust air can cause a dust hazard
- Dusts and fumes generated when using power tools can cause ill health (for example: cancer, birth defects, asthma and/or dermatitis); risk assessment of these hazards and implementation of appropriate controls of is essential.
- Risk assessment should include dust created by the use of the tool and the potential for disturbing existing dust.
- Operate and maintain the power tool as recommended in these instructions, to minimize dust or fume emissions
- Direct the exhaust so as to minimized disturbance of dust in a dust filled environment
- Where dusts or fumes are created, the priority shall be to control them at the point of emission.
- All integral features or accessories for the collection, extraction or suppression of airborne dust or fumes should be correctly used and maintained in accordance with the manufacturer's instructions.
- Select, maintain and replace the consumable/inserted tool as recommended in these instructions, to prevent an unnecessary increase in dust or fumes
- Use respiratory protection as instructed by your employer or as required by occupational health and safety regulations;



7.2.2.11 NOISE HAZARDS

- Unprotected exposure to high noise levels can cause permanent, disabling, hearing loss and other problems such as tinnitus (ringing, buzzing, whistling or humming in the ears);
- Risk assessment of these hazards and implementation of appropriate controls of is essential.
- Appropriate controls to reduce the risk may include actions such as damping materials to prevent work pieces from 'ringing'
- Use hearing protection as instructed by your employer or as required by occupational health and safety regulations;
- Operate and maintain the power tool as recommended in these instructions, to prevent an unnecessary increase in noise levels;
- Select, maintain and replace the consumable/inserted tool as recommended in these instructions, to prevent an unnecessary increase in noise.



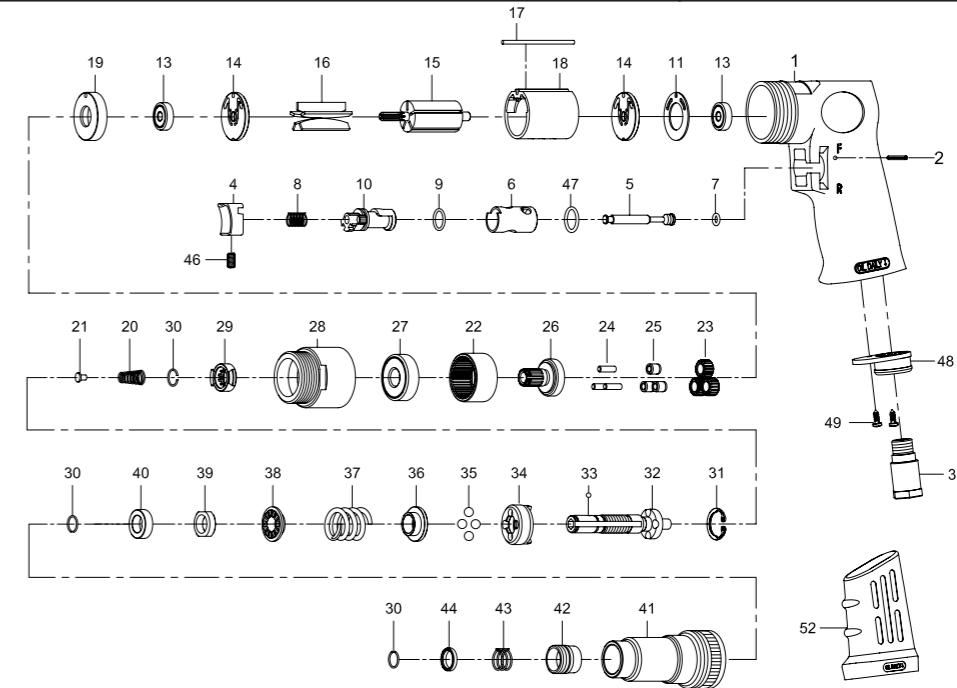
7.2.2.12 VIBRATION HAZARDS

- Exposure to vibration can cause disabling damage to the nerves and blood supply of the hands and arms;
- Wear warm clothing when working in cold conditions and keep your hands warm and dry;
- If you experience numbness, tingling, pain or whitening of the skin in your fingers or hands, stop using the power tool, and tell your employer. You should also seek medical advice from a qualified occupational health professional.
- Operate and maintain the power tool as recommended in these instructions, to prevent an unnecessary increase in vibration;
- Select, maintain and replace the consumable/inserted tool as recommended in these instructions, to prevent an unnecessary increase in vibration levels;
- Support the weight of the tool in a stand, tensioner or balancer, because the operator can then use a lighter grip to support the tool.
- Hold the tool with a light but safe grip taking account of the required hand reaction forces, because the risk from vibration is generally greater when the grip force is higher.

7.2.3 ADDITIONAL SAFETY INSTRUCTIONS FOR PNEUMATIC POWER TOOLS - AIR SUPPLY & CONNECTION HAZARDS

- Air under pressure can cause severe injury.
- Always shut off air supply, drain hose of air pressure and disconnect tool from air supply when not in use, before changing accessories or when making repairs.
- Never direct air at yourself or anyone else.
- Whipping hoses can cause severe injury. Always check for damaged or loose hoses and fittings.
- Whenever universal twist couplings (claw couplings) are used, lock pins must be installed.
- Do not exceed the maximum air pressure stated on the tool.
- Use whip check safety cables to safeguard against possible hose to tool and hose to hose connection failure.
- Never carry an air tool by the hose.

Service Parts / Exploded View Drawing



Ref #	Part Number	Description	Qty
1	980201	MOTOR HOUSING	1
2	980202	SPRING PIN	1
3	970103-11	AIR INLET - NPT	1
	970103-14	AIR INLET - BSP	1
4	970104	TRIGGER	1
5	980205	VALVE STEM	1
6	980206-1	REVERSE BUSHING	1
7	970107	O-RING	1
8	970108	VALVE SPRING	1
9	980209	O-RING	1
10	980210	REVERSE LEVER	1
11	980211	MOTOR GASKET	1
13	9030113	BALL BEARING	2
14	980214	END PLATE	2
15	980215	ROTOR	1
16	980216	ROTOR BLADES	5
17	980217-13	SPRING PIN	1
18	980218-22	CYLINDER	1
19	980219	SPACER	1
20	980220	SPRING	1
21	980221	SPRING GUIDE	1
22	980222	INTERNAL GEAR	1
23	980223	PLANET GEAR	3
24	930124	PIN	3
25	980225	BUSHING	3

Ref #	Part Number	Description	Qty.
26	980226	WORK SPINDLE	1
27	9080227	BALL BEARING	1
28	980228	CLAMP NUT	1
29	980229	DRIVE DOG	1
30	980230	RETAINER RING	3
31	980231	SNAP RING	1
32	980232	CAM SPINDLE	1
33	940145	STEEL BALL	1
34	980234	CLUTCH	1
35	980235	STEEL BALL	4
36	980236	TRUST WASHER	1
37	980237	SPRING	1
38	980238	WASHER	1
39	980239	ADJUST NUT	1
40	980240	SPACER	1
41	980241	CLUTCH HOUSING	1
42	980242	BALL RETAINER	1
43	980243	SPRING	1
44	980244	WASHER	1
46	970935	SET SCREW	1
47	980247	O-RING	1
48	970110	EXHAUST DIFFUSER	1
49	940309	SCREW	2
52	982253-12	RUBBER GRIP	1

Troubleshooting

Problem	Possible Cause	Solution
The tool runs slowly or will not operate.	There is grit or gum in the tool.	Flush the tool with air tool oil or gum solvent.
	The tool is out of oil.	Lubricate the tool according to the lubrication instructions in this manual.
	The air pressure is low.	<input type="checkbox"/> Adjust the regulator on the tool to the maximum setting. <input type="checkbox"/> Adjust the compressor regulator to the tool's maximum setting of 90 psi.
	The air hose leaks.	Tighten and seal the hose fittings with pipe thread tape if leaks are found.
	The air pressure drops.	<input type="checkbox"/> Ensure the hose is the proper size. Long hoses or tools using large volumes of air may require a hose with an I.D. of 1/2" or larger depending on the total length of the hose. <input type="checkbox"/> Do not use a multiple number of hoses connected together with a quick connect fitting. This causes additional pressure drops and reduces the tool power. Directly connect the hoses together.
	There is a worn rotor blade in the motor.	Replace the rotor blade.
	There is a worn ball bearing in the motor.	Remove and inspect the bearing for rust, dirt, and grit. Replace or clean and grease the bearing with bearing grease.
There is moisture blowing out of the tool's exhaust.	There is water in the tank.	Drain the tank. (See the air compressor manual for instructions.) Lubricate the tool and run it until water is not evident. Lubricate the tool again and run for 1-2 seconds.

Warranty

Limited Warranty: Universal Tool warrants its tools to be free from defects in material and workmanship for one year from the date of purchase. This warranty does not apply to tools which have been abused, misused, modified or repaired by someone other than Universal Tool or its authorized service centers. If a UT tool proves defective in material or workmanship within one year after purchase, return it to any authorized service center or Universal Tool freight prepaid. Please enclose your name, address and adequate proof of date of purchase and a short description of the defect. Universal Tool will, at its option, repair or replace defective tools free of charge. Repairs or replacements are warranted as described above for the remainder of the original warranty period. Universal Tool's sole liability and your exclusive remedy under this warranty is limited to repair or replacement of the defective tool.


There are no other warranties expressed or implied and Universal Tool shall not be liable for incidental, consequential or special damages, or any other damages, costs or expenses excepting only the cost or expense of repair or replacement as described above.

Safety Information (continued)

AIR COMPRESSOR AND AIR TOOL SAFETY

1. Risk of Bursting. Do not adjust the regulator to result in output pressure greater than the marked maximum pressure of this air tool.
2. Ensure the hose is free of obstructions or snags. Entangled or snarled hoses can cause loss of balance or footing and may become damaged.
3. Never leave a tool unattended with the air hose attached.
4. Do not operate this tool if it does not contain a legible warning label.
5. Do not continue to use a tool or hose that leaks air or does not function properly.
6. Never direct a jet of compressed air toward people or animals.
7. Protect your lungs. Wear a face or dust mask if the operation is dusty.

WARNING: Some dust created by power sanding, sawing, grinding, drilling and other construction activities contains chemicals known to cause cancer, birth defects or other reproductive harm. Some examples of these chemicals are:

 Lead from lead based paint, crystalline silica from bricks and cement and other masonry products, arsenic and chromium from chemically-treated lumber.

Your risk from those exposures varies, depending on how often you do this type of work. To reduce your exposure to these chemicals: work in a well-ventilated area, and work with approved safety equipment, such as dust masks that are specifically designed to filter out microscopic particles.

Important Warnings - Screwdrivers





1. Eye protection and hearing protection must always be worn when operating a screwdriver.

Accessory Hazards

2. Disconnect the assembly power tool for threaded fasteners from the energy supply before changing the inserted tool or accessory.
3. Use only sizes and types of accessories and consumables that are recommended by the assembly power tool for threaded fasteners manufacturer; do not use other types or sizes of accessories and consumables.

Specifications

 Vibration Level (m/sec²): 2.5  Noise Level (dBA): 87

Model No.	Free Speed (RPM)	Motor (HP)	Chuck Size (in.)	Exhaust	Weight (lbs.)	Length (in)	Air Cons. (CFM)	Rec. Hose Size (in.)	Air Inlet (in.)
UT2964A	1,800	1/2	1/4	Handle	2.4	8-1/16	4	3/8	1/4 NPT / BSP

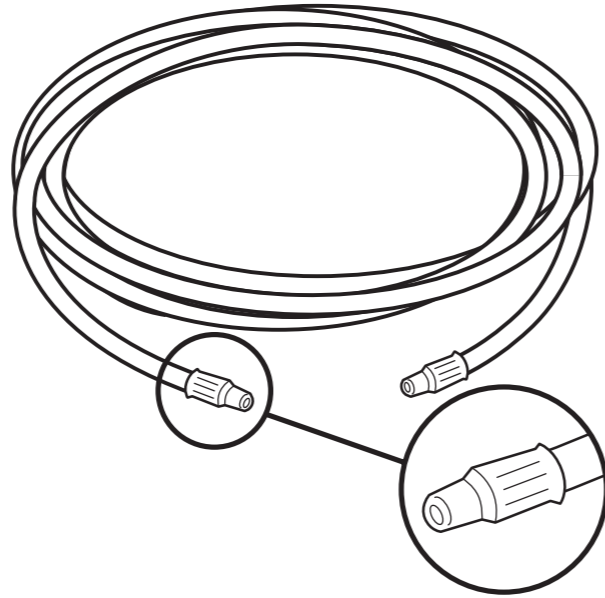
Installation

1 Cleaning the air hose

- A 3/8" air hose is required, with a maximum length of 25 ft.
- Clean the air hose of accumulated dust and moisture before connecting it to the air supply.



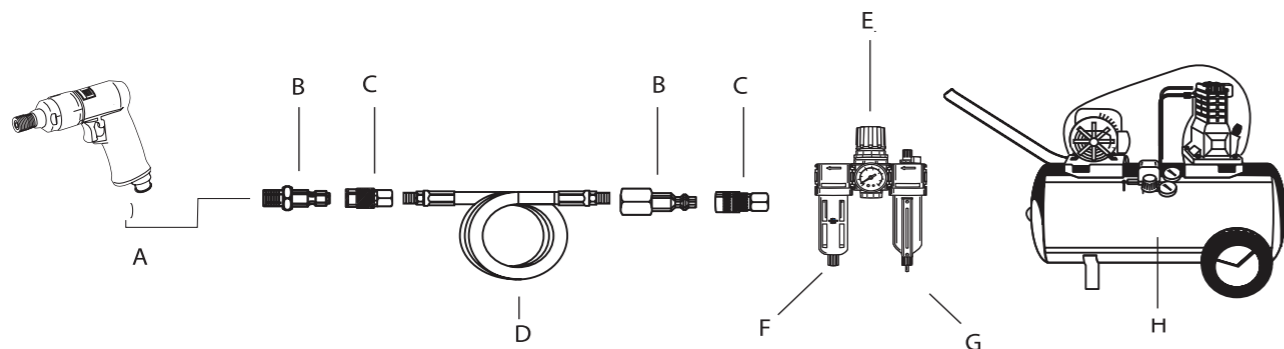
NOTE: If a longer air hose is required, connect a 1/2" air hose to the 3/8" air hose to ensure the impact driver has the necessary air supply.



2 Connecting to the air supply

- Always use clean dry air. Excessive moisture and dirt will greatly reduce the life of any air motor. We recommend the installation of an in-line filter-regulator-lubricator as close to the tool as possible.
- Ensure all hoses and fittings are the correct size and secured tightly.

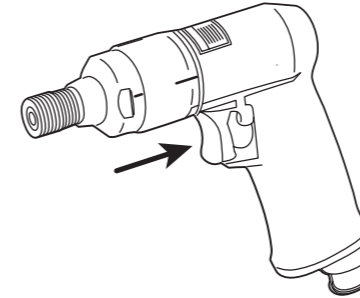
Recommended Air Line Set-Up	
Part	Description
A	Screwdriver
B	Quick Plug
C	Quick Coupler
D	Air Hose
E	In-line Regulator
F	In-line Lubricator
G	In-line Filter
H	Air Compressor



Operation

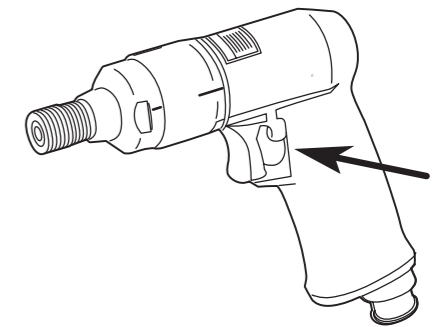
1 Operating the screwdriver

- This screwdriver has an adjustable clutch that allows the tool to be set to achieve the desired torque level. The speed is controlled by the amount of switch trigger depression.
- To turn the impact driver ON, depress the switch trigger.
- To turn the impact driver OFF, release the switch trigger.



2 Changing the rotation direction

- The direction of the bit rotation is reversible.
- Control the rotation direction by moving the side-mounted switch to Forward or Reverse as required for the operation.



3 Installing and removing the bits



NOTE: It is normal for there to be some play in the installed bit. Use only impact quality bits with a locking groove.



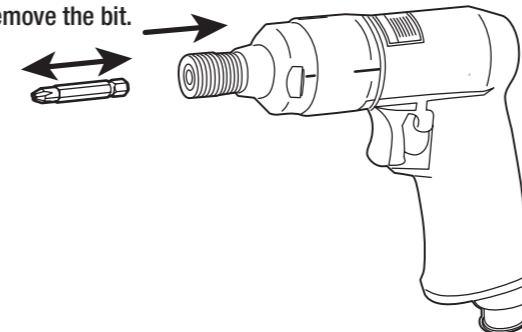
WARNING: Ensure the bit is secured in the coupler before using the impact driver. Failure to do so could cause serious personal injury.

To install the bits:

- Remove the air supply from the impact driver.
- Pull back the ball retainer and insert the bit. Release the sleeve and the bit locks in place.
- Pull on the bit to ensure it is secured in the coupler.

To remove the bits:

- Remove the air supply from the impact driver.
- With the nose of the tool pointed away from you, pull back the ball retainer.
- Remove the bit.



4 Driving or removing screws

- Place the rotation direction switch in the correct position (forward or reverse) for the operation.
- Hold the impact driver with one hand.
- Place the bit on the screw head and slowly depress the switch trigger. Start the bit slowly for more control.
- As the screw is driven, impacting will begin.

