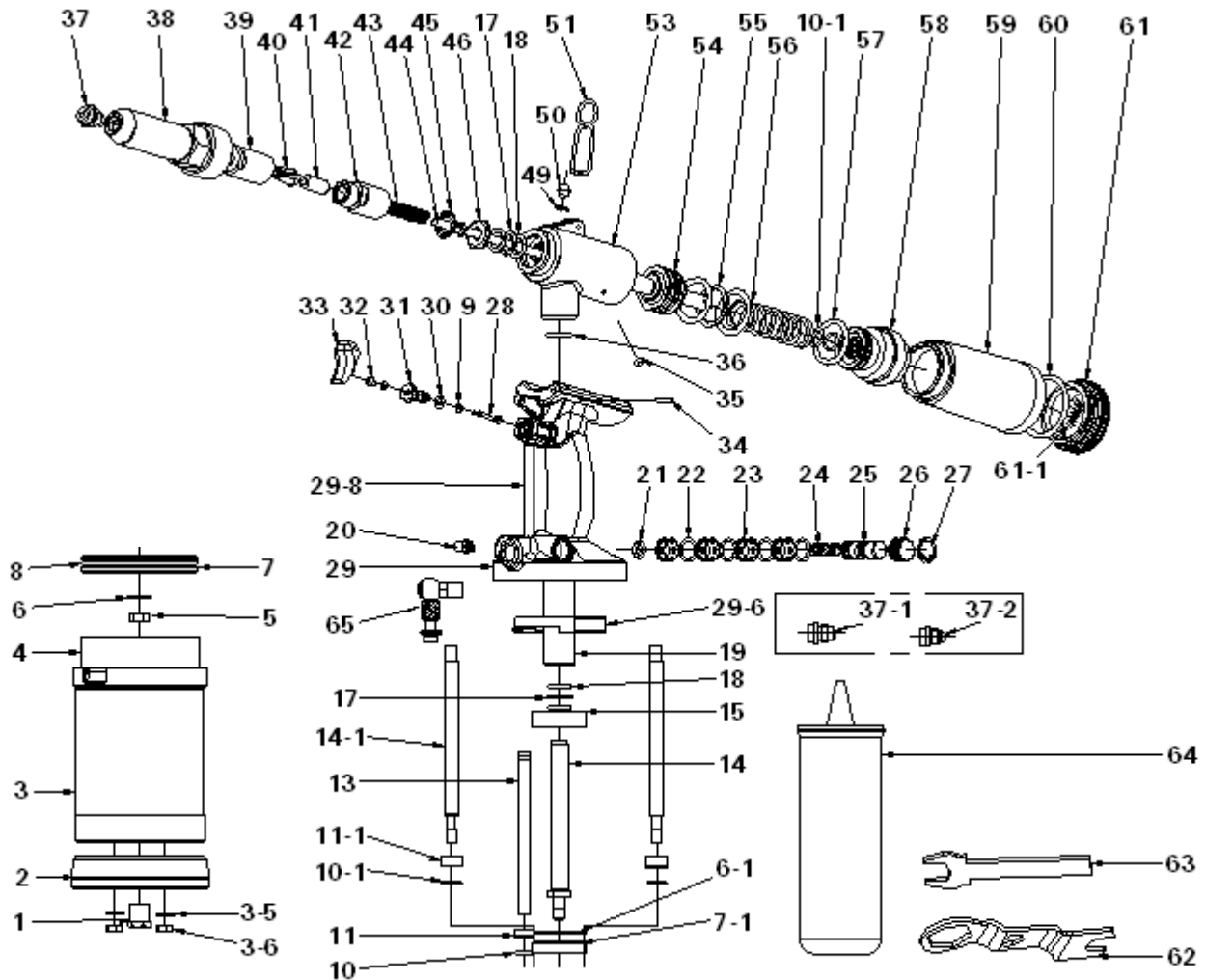


UT180R

1/4" Air Hydraulic Blind Riveter

UT190R

3/16" Air Hydraulic Blind Riveter



Ref No	UT180R	UT190R	Description
1	1800001	1800001	Safety Valve Assembly
2	1800002	1800002	Rubber Bottom
3	1800003	1800003	Air Cylinder Body
3-5	1800305	1800305	Washer (2)
3-6	1800306	1800306	Nut (2)
4	1800004	1800004	Liner
5	1800005	1900005	Nut
6	1800006	1800006	Washer
6-1	1800601	1800601	Washer
7	1800007	1800007	Air Piston
7-1	1800701	1800701	Crashworthy Washer
8	1800008	1800008	O-Ring
9	1800009	1800009	O-Ring (2)
10	1800010	1800010	O-Ring
10-1	1801001	1801001	O-Ring (2)
11	1800011	1800011	O-Ring Depressor
11-1	1801101	1801101	O-Ring Depressor (2)
13	1800013	1800013	Tube
14	1800014	1800014	Rod
14-1	1801401	1801401	Rod (2)
15	1800015	1800015	Stem Nut
17	1800017	1800017	Backup-Up Ring (2)
18	1800018	1900018	O-Ring (4)
19	1800019	1800019	Stem
20	1800020	1800020	Muffler
21	1800021	1800021	Pad
22	1800022	1800022	O-Ring (4)
23	1800023	1800023	Cage (4)
24	1800024	1800024	Spring
25	1800025	1800025	Valve
26	1800026	1800026	Valve Cap
27	1800027	1800027	Retaining Ring
28	1800028	1800028	Valve Piston
29	1800029	1800029	Handle Body
29-6	1802906	1802906	Nut Stand
29-8	1802908	1802908	Handle Sheath
30	1800030	1800030	O-Ring

Ref No	UT180R	UT190R	Description
31	1800031	1800031	Trigger Insert
32	1800032	1800032	Trigger Head
33	1800033	1800033	Trigger
34	1800034	1800034	Spring Pin
35	1800035	1800035	O-Ring
36	1800036	1800036	O-Ring
37	1800037	1900037	Nosepiece (3/16")
37-1	1803701	1903701	Nosepiece (5/32")
37-2	1803702	1903702	Nosepiece (1/8")
37-3		1903703	Nosepiece (3/32")
38	1800038	1900038	Frame Head
39	1800039	1900039	Jaw Case Front Tart
40	1800040	1900040	Jaw (3)
41	1800041	1900041	Jaw Pusher
42	1800042	1900042	Jaw Pusher Coupler
43	1800043	1900043	Spring
44	1800044	1900044	Piston Shaft
45	1800045	1800045	Case Washer
46	1800046	1800046	Case Lock Nut
49	1800049	1800049	Oil Seal Washer
50	1800050	1800050	Hexagon Socket Screw
51	1800051	1800051	Hook
52		1900052	Spring
53	1800053	1900053	Oil Cylinder Body
54	1800054	1900054	Piston Rod II
55	1800055	1900055	Bu-Ring
56	1800056	1900056	O-Ring (2)
57	1800057	1900057	O-Ring
58	1800058	1900058	Frame Cap Nut
59	1800059	1800059	Spent Mandrel Bottle
60	1800060	1800060	O-Ring
61	1800061	1800061	Mandrel Bottle Adaptor
61-1	1806101	1806101	Silencer
62	1800062	1900062	Spanner
63	1800063	1900063	Spanner Cage
64	1800064	1800064	Oil Can
65	1800065	1800065	Shutoff Valve