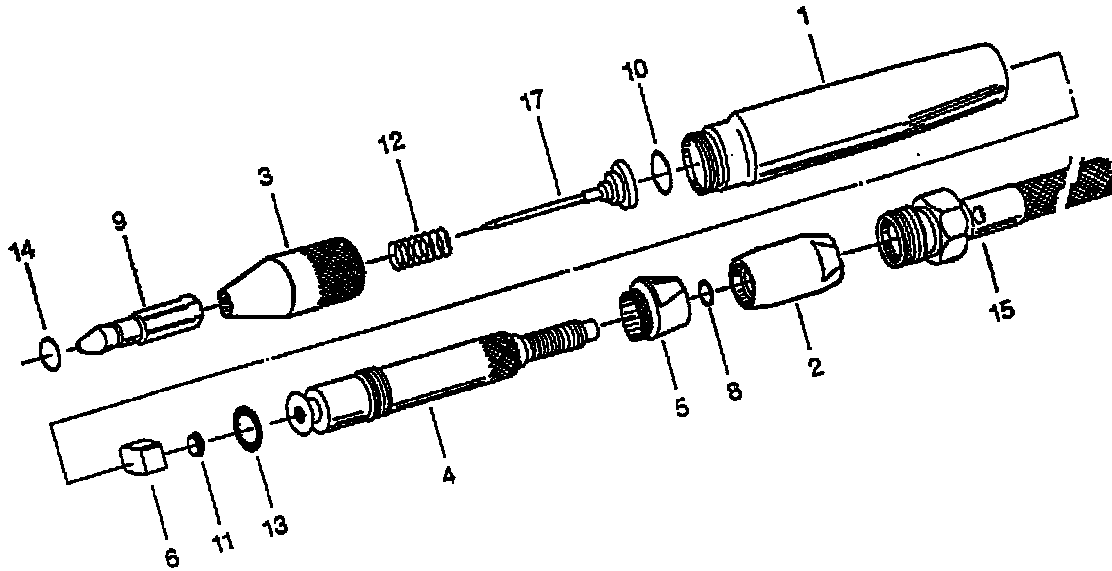


Universal Tool

UT176 (HP176) Engraving Pen



Ref No	Part No	Description
1	940001	Body
2	940002	Adjustment Nut
3	940003	Front Part
4	940004	Throttle Valve
5	940005	Ring Nut
6	940006	Valve Seat
8	940008	O-Ring
9	940009	Bush
10	940010	O-Ring
11	940011	Seal
12	940012	Spring
13	940013	O-Ring
14	940014	O-Ring
15	940015	Air Hose
17	940016	Stylus for Thin Point
	940017	Stylus for Medium Point
	940018	Stylus for Large Point